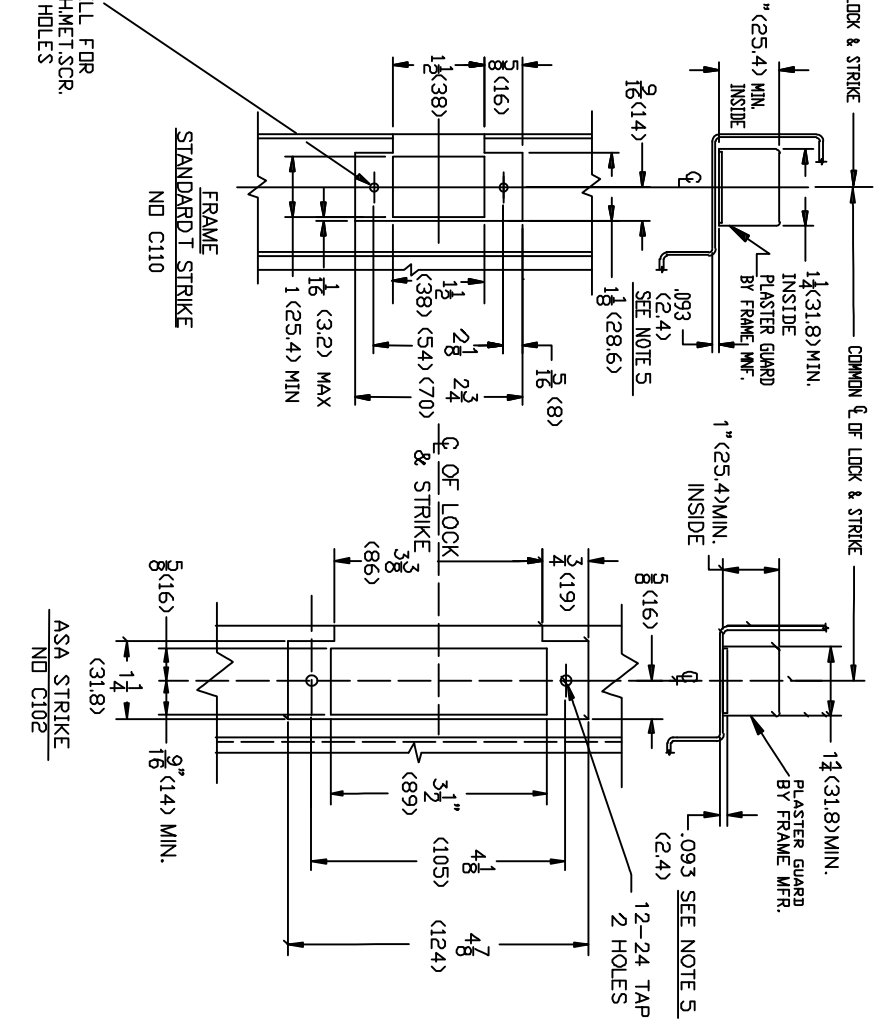
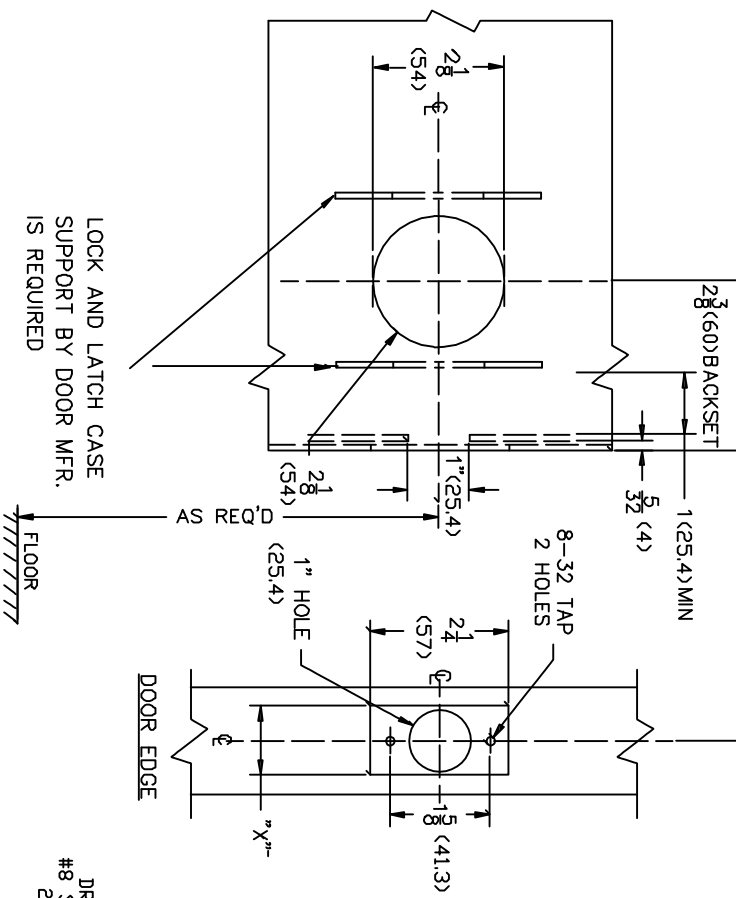


DETAIL "A" → 2 3/4 (70) BACKSET



BACKSET	"X"
2 3/8 (60)	1" (25.4)
2 3/4 (70)	1 1/8 (28.6)

- NOTES:**
- 1) DO NOT SCALE DRAWING
 - 2) SEE DETAIL "A" BEFORE MACHINING
 - 3) DETERMINE BACKSET BEFORE MACHINING
 - 4) VERIFY FACE PLATE DIMENSION "X"
 - 5) WHEN USING BACK BOX ADD DIMENSION



Brookline Industries
 1624 South Clinton Street
 Chicago, IL 60616 USA
<http://brooklineind.com>

DIMENSIONS ARE INCHES () ARE IN MILLIMETERS.

A251 COMMUNICATION DEADLATCH CYL X BLANK FOR METAL DOORS

TEMPLATE NUMBER: **T-A251M Rev1**

DATE: 01-01-2007