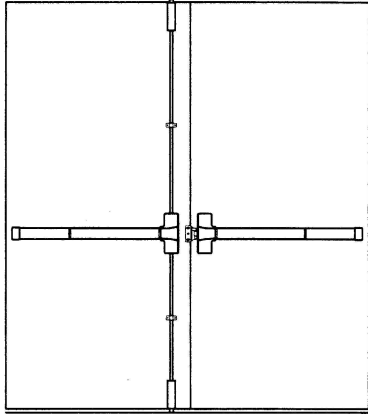


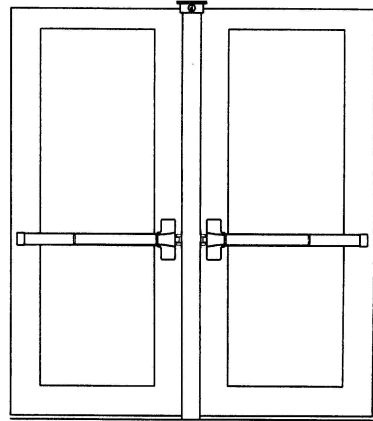
**TYPICAL EXIT DEVICE APPLICATIONS FOR DOUBLE DOORS** **E-3**

**Rim Device & SVR or CVR**



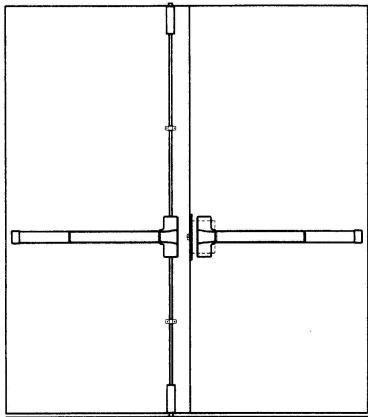
Overlapping astragal not required  
Coordinator required with double door strike

**Two Rim Devices & Mullion**



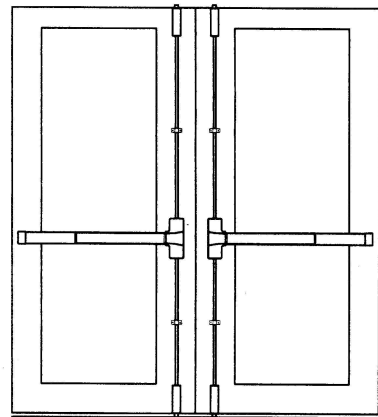
Independent Pair of Active Doors

**Mortise Device With SVR**



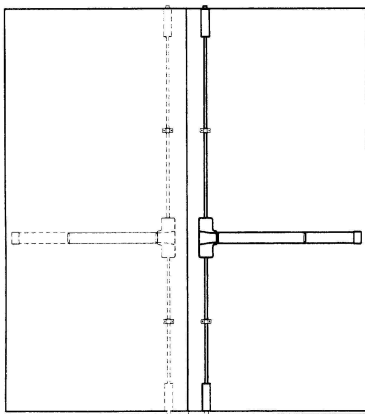
Overlapping astragal not required  
Coordinator required with Standard ANSI Strike

**Two SVR or CVR Devices**



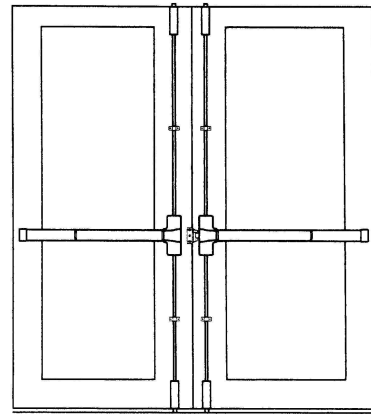
Overlapping astragal not required

**Two SVR or CVR Double Egress**



Overlapping astragal required or not  
See Door Manufacturers Labeling Requirements

**SVR & 3 Point Latching Device**



Overlapping astragal not required  
Coordinator required with double door strike