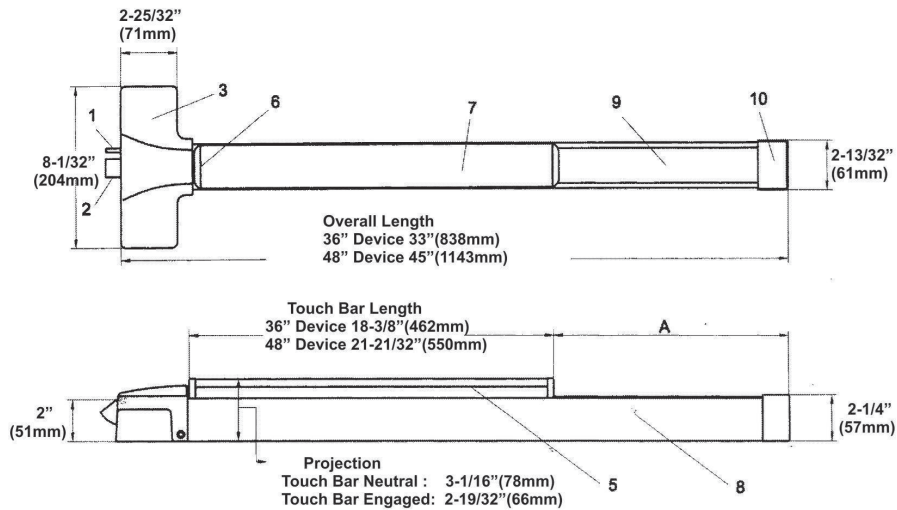


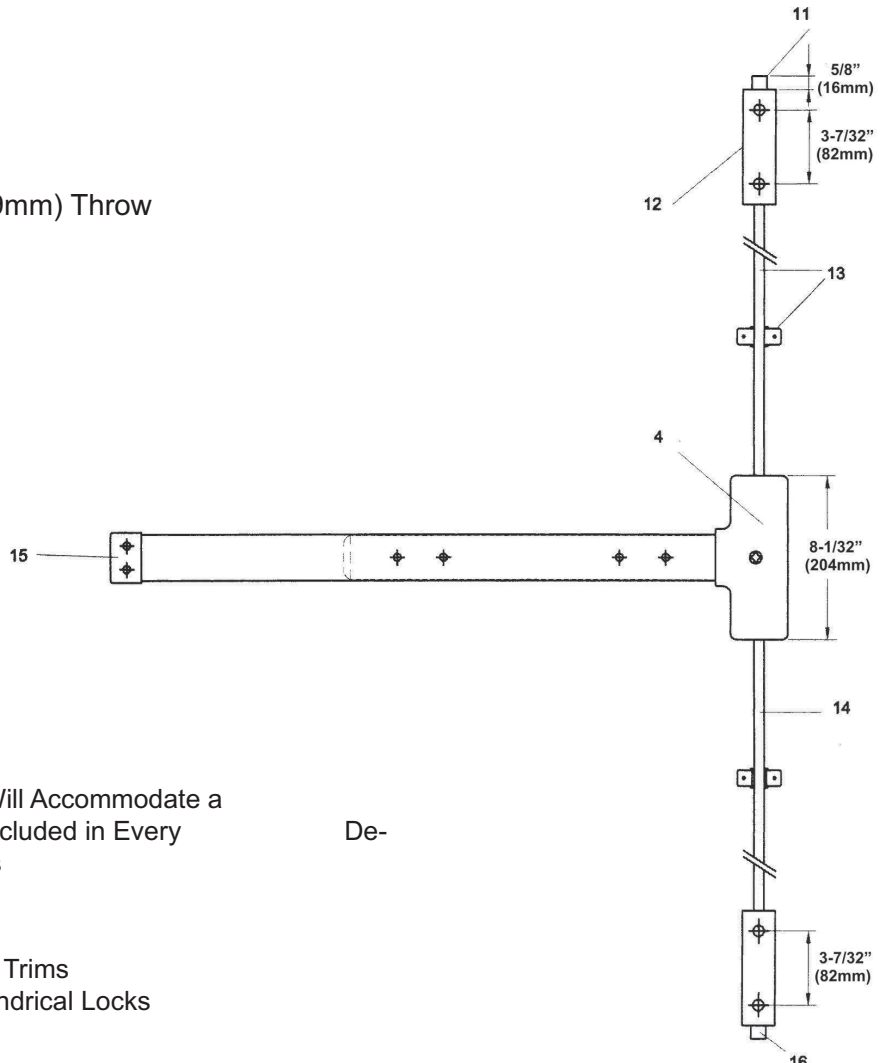
E-4 5110 & 5130 SERIES WIDE STYLE EXIT DEVICE PARTS DESCRIPTION & DIMENSIONS

E5110 Series
Rim Device
Wide Style



E5130 Series
Surface Vertical Rod
Wide Style

1. Auxiliary Dead Latch
2. Stainless Steel Latch Bolt, 3/4" (19mm) Throw
3. Head Cover
4. Chassis
5. Touch Bar
6. Touch Bar End Cap
7. Touch Bar Trim
8. Device Body
9. Rear Cover
10. End Cap
11. Top Latch, 5/8" (16mm) Throw
12. Latch Assembly Cover
13. Top Vertical Rod & Rod Guide
14. Bottom Vertical Rod
15. End Cap Bracket
16. Bottom Latch, 5/8" (16mm) throw

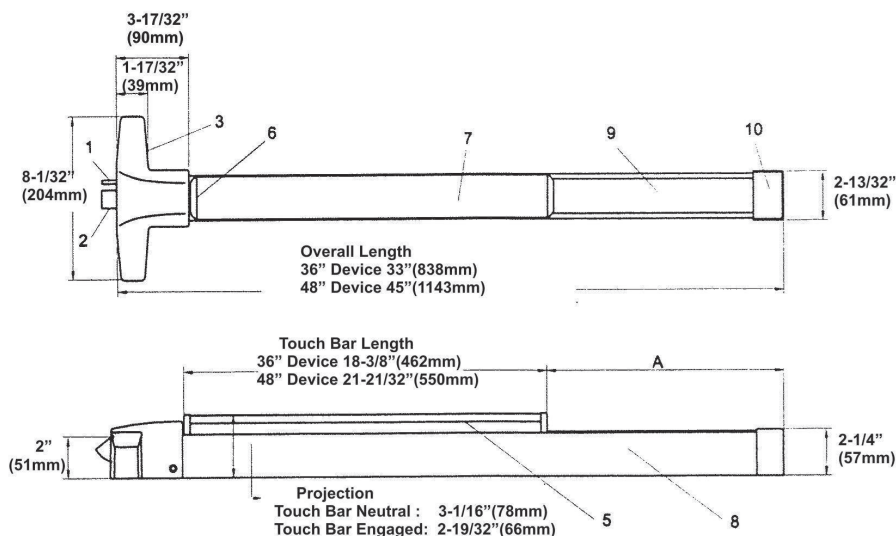


Note: Brookline Standard SVR & CVR Will Accommodate a 7'(2134mm) Door. Rod Extensions Are Included in Every vice to Accommodate 8'(2438mm) Doors

Note: Brookline Wide Style Devices and Trims Will Cover A Standard 161 Prep For Cylindrical Locks

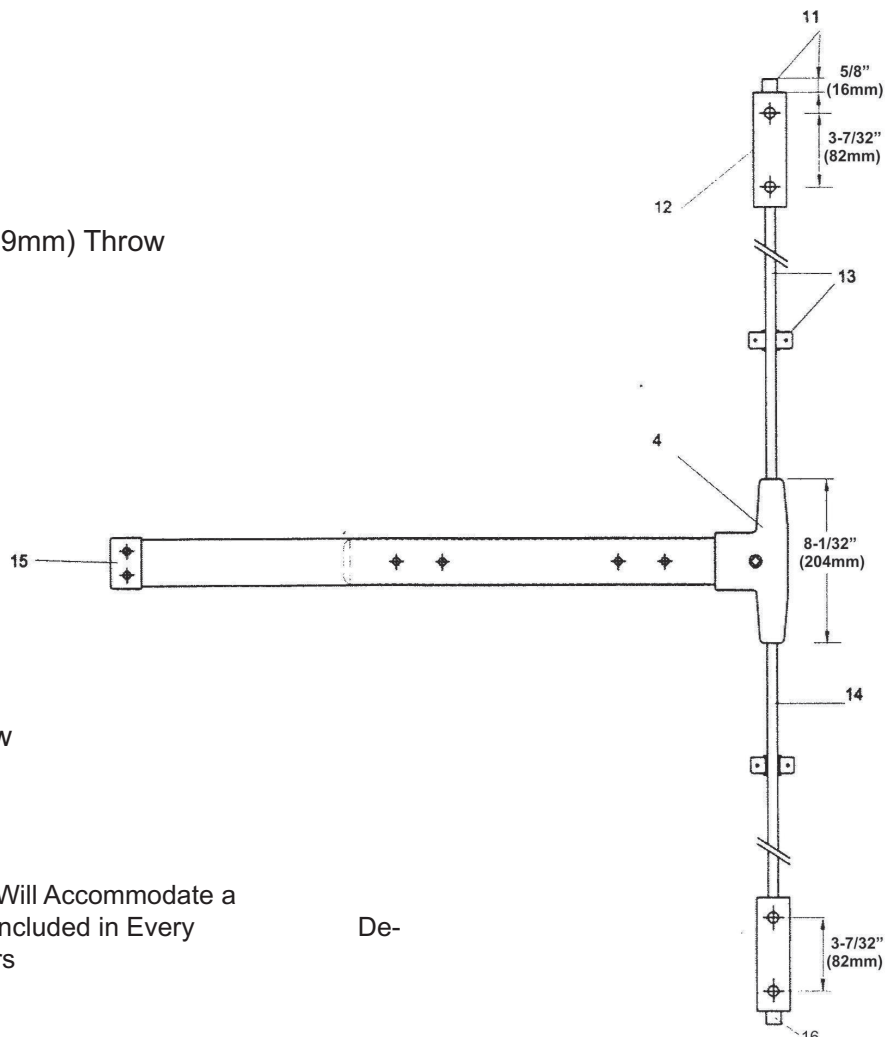
5210 & 5230 NARROW STYLE EXIT DEVICE NOMENCLATURE & DIMENSIONS E-5

E5210 Series
Rim Device
Narrow Style



E5230 Series
Surface Vertical Rod
Narrow Style

1. Auxiliary Dead Latch
2. Stainless Steel Latch Bolt, 3/4"(19mm) Throw
3. Head Cover
4. Chassis
5. Touch Bar
6. Touch Bar End Cap
7. Touch Bar Trim
8. Device Body
9. Rear Cover
10. End Cap
11. Top Latch, 5/8" (16mm) Throw
12. Latch Assembly Cover
13. Top Vertical Rod & Rod Guide
14. Bottom Vertical Rod
15. End Cap Bracket
16. Bottom Latch, 5/8" (16mm) throw



Note: Brookline Standard SVR & CVR Will Accommodate a 7'(2134mm) Door. Rod Extensions Are Included in Every vice to Accommodate 8'(2438mm) Doors

De-