








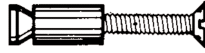


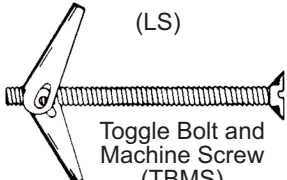




FASTENERS FINISHES AND SYMBOLS G-3

- 
Slotted Head
- 
Phillips Head
- 
Spanner Head
- 
Hex
- 
Pin Head

- 
Dry-Wall Anchor
(DWA)
- 
Sheet Metal Screw
(SMS)
- 
Wood Screw
(WS)
- 
Machine Screw
(MS)
- 
Threaded Sleeve for
back to back mounting
(TSBB)

- 
Thru-Bolt with
Finishing Washer TB
- 
Rawlplug
(RP)
- 
Plastic Anchor
(PA)
- 
Sex Nut and Bolt
(SNB)
- 
Lead Expansion
Shield
(ES)

- 
Lock/Bolt
(LB)
- 
Lag Screw and Shield
(LS)
- 
Toggle Bolt and
Machine Screw
(TBMS)
- 
Cone Head
(CH)
- 
Threaded Rod
(TR)

BROOKLINE SYMBOL GLOSSARY

- B3E**Beveled top and two sides
- B4E**Beveled all edges
- CFC**Cut for cylinder
- CTT**Cut for thumbturn
- CTC**Center to center
- EE**Engraved
- ES**Expansion shield
- FR**Fully rounded ends
- MS**Machine screw
- MSET**Matching Set
- OA**Overall
- RC**Round corners
- R2C**Round 2 corners
- RE**Round edge top and bottom
- SMS**Sheet metal screw
- TB**Thru-bolt
- WS**Wood screw

BROOKLINE STANDARD FINISHES

U.S. Standard Symbols are used to identify Brookline Finishes. Please specify finishes desired by using the following symbols when ordering. Please send samples when ordering special finishes not listed below.

Finish	Symbol
BrassBright	U.S. 3 *
BrassDull	U.S. 4 *
BronzeBright	U.S. 9 *
BronzeDull	U.S. 10 *
BronzeOil Rubbed	U.S. 10B *
Nickel PlateBright	U.S. 14 *
Nickel PlateDull	U.S. 15 *
Chromium PlateBright	U.S. 26 *
Chromium PlateDull	U.S. 26D *
Stainless SteelPolished	U.S. 32 †
Stainless SteelDull	U.S. 32D †

* indicates finishes with brass or bronze base material
 † indicates finishes with stainless steel base material

LIFETIME FINISH PVD (Physical Vapor Deposition) finishing offers an alternative to traditional plating methods. It is 100% environmentally friendly and delivers a smoother, brighter and harder surface than traditional plating. This highly specialized finishing is unaffected by the elements and the wear and tear of daily use. PVD coating is available and priced on application. Please contact Brookline for additional information.