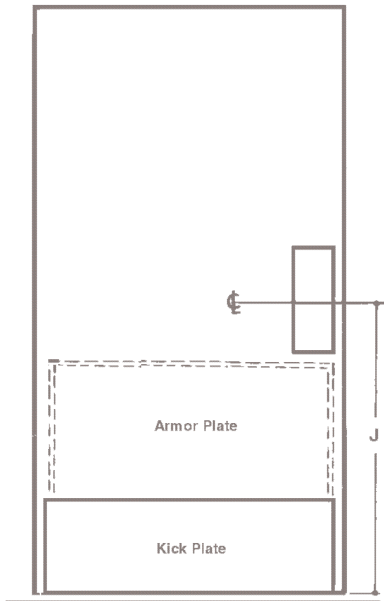
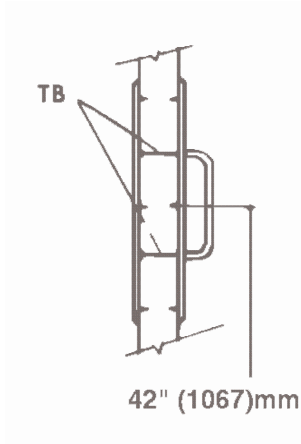


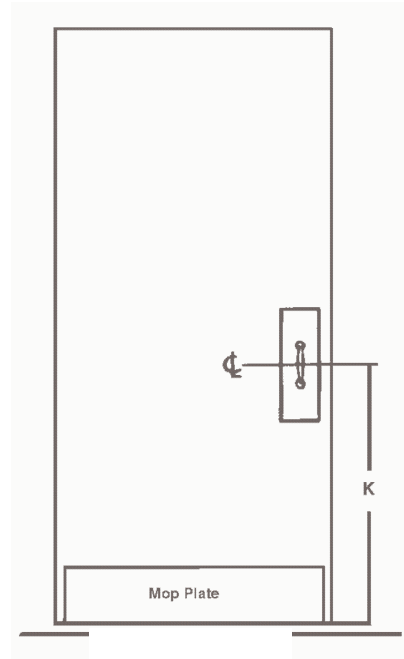
Push And Pull Plate Locations



Push Side



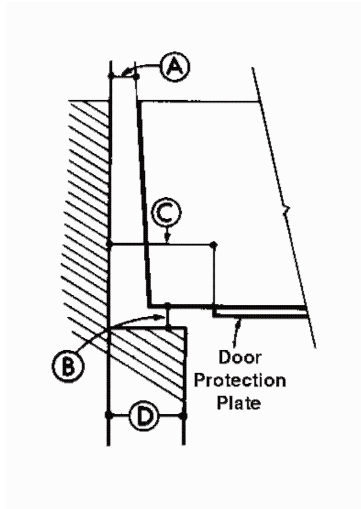
Back to Back Push-Pull



Pull Side

J - 42" (1066)mm above finished floor
K - 45" (1143)mm above finished floor

Door Protection Plate Considerations For Stop Side



- A** - Door to frame clearance
- B** - Door to stop clearance
- C** - Distance from frame to plate
- D** - Stop

Technical Note: When ordering door protection plates care must be taken to assure the plate does not interfere with lock or hingeside stop and cause the door to bind.