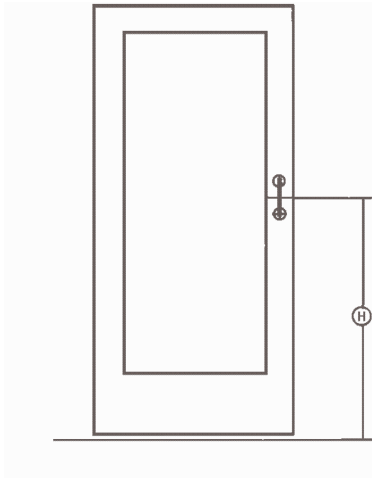
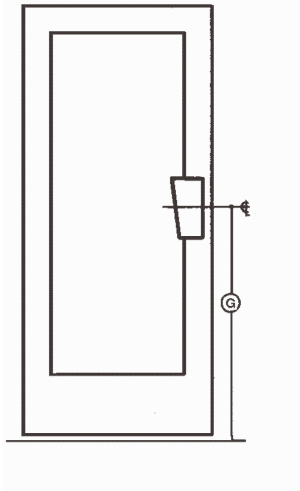
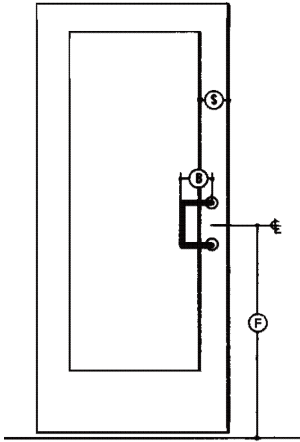


LOCATIONS

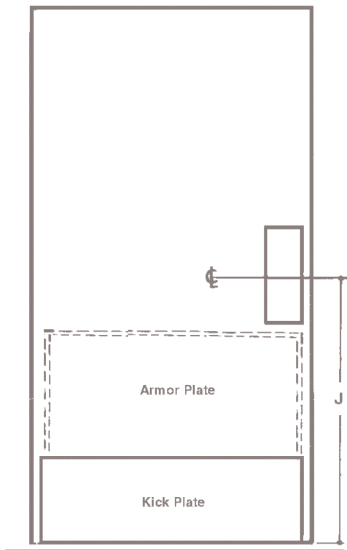
G-5

Push-Pull Locations

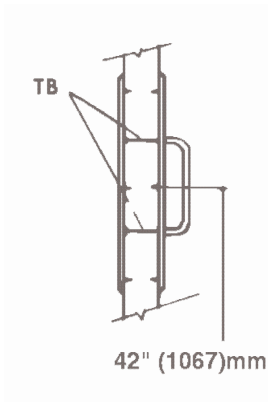


- B** - Grip offset
- F** - 42" (1066)mm above finished floor
- G** - 45" (1143)mm above finished floor
- H** - 42" (1066)mm above finished floor
- S** - Stile width

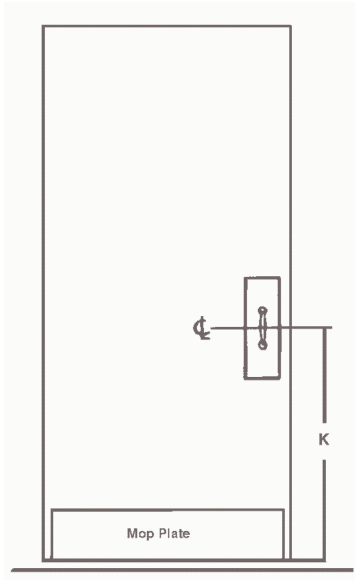
Push And Pull Plate Locations



Push Side



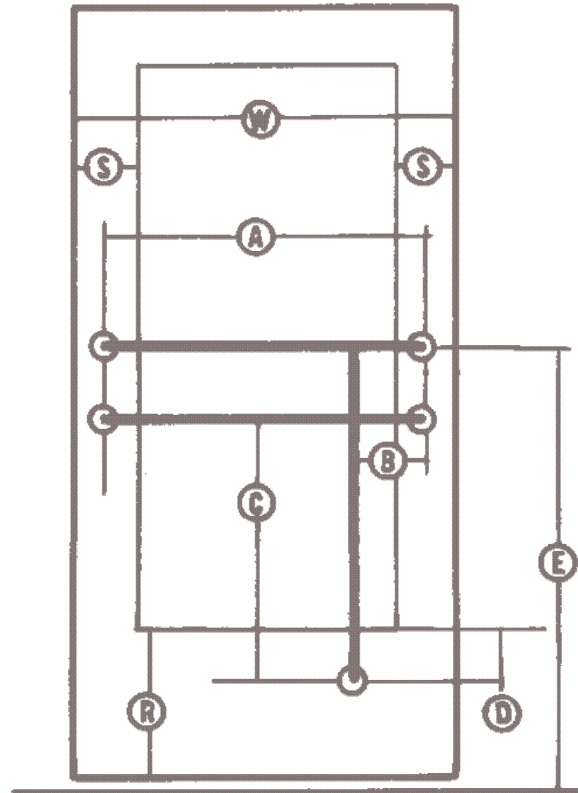
Back to Back Push-Pull



Pull Side

- J** - 42" (1066)mm above finished floor
- K** - 45" (1143)mm above finished floor

Push-Pull Bar Locations



- A** - CTC (Center to Center) On door with equal stiles take door width less one stile. For flush doors; door width less 5" (127)mm
Greater attention to dimensions needed for narrow stile doors
- B** - Grip offset
- C** - Extended Grip CTC; Bar height (E) minus (R) plus (D)
- D** - Extended Grip bottom bar $\frac{1}{2}$ of (R) up to 3" (76.2)mm
- E** - Single bar height 43"(1092)mm above finished floor
Double bar height 46"(1168)mm above finished floor
- R** - Bottom rail height
- S** - Stile width
- W** - Door width