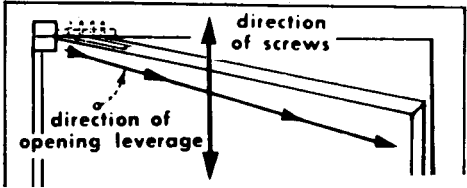


OFFSET HUNG PIVOT INFORMATION AND DETAILS

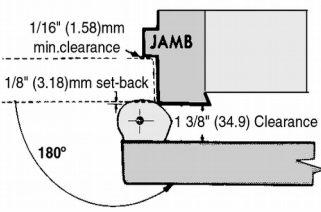
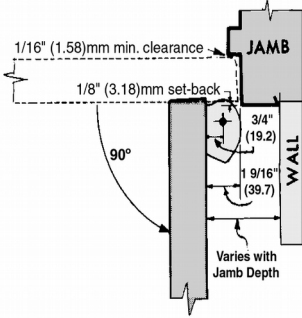
Why pivots are better than hinges

When a door is hung on a pivot, the entire weight of the door is carried by the bottom pivot resting on the floor. Since the screws in the top pivot are perpendicular to the pivot and at right angles to the opening leverage, the door is hung in sheer rather than in tension and is less likely to pull away from the jamb.

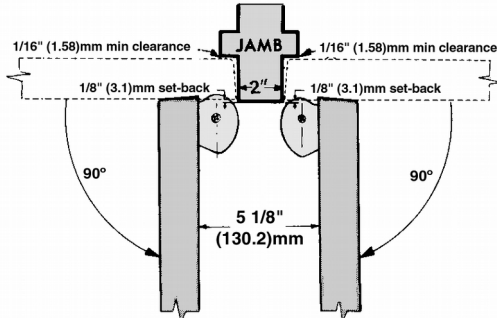
Offset Hung Doors assure a snug fit into the opening allowing a weathertight seal using both side and top stops. A bottom seal can also be attained by using a panic threshold.



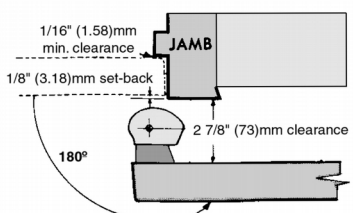
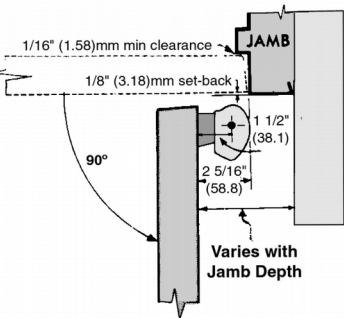
3/4" OFFSET



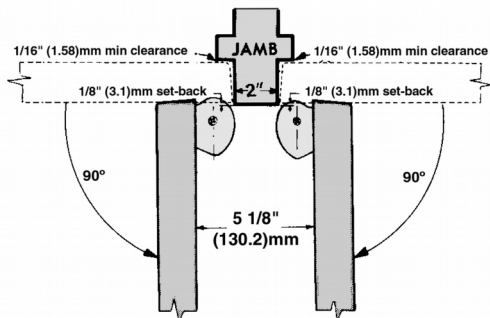
3/4" OFFSET Back to Back



1 1/2" OFFSET

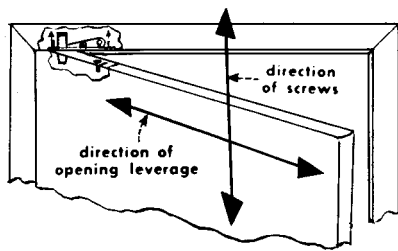


1 1/2" OFFSET Back to Back

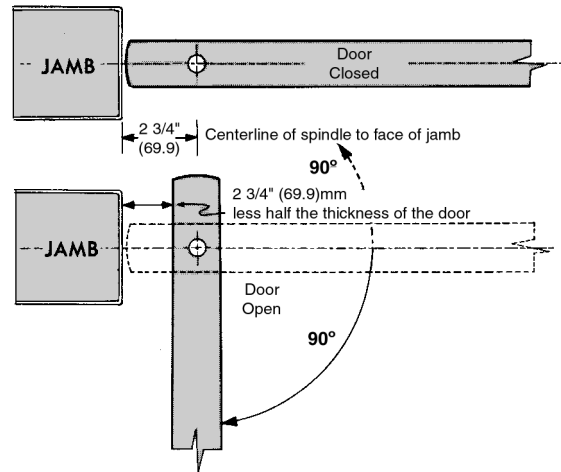


Why pivots are better than hinges

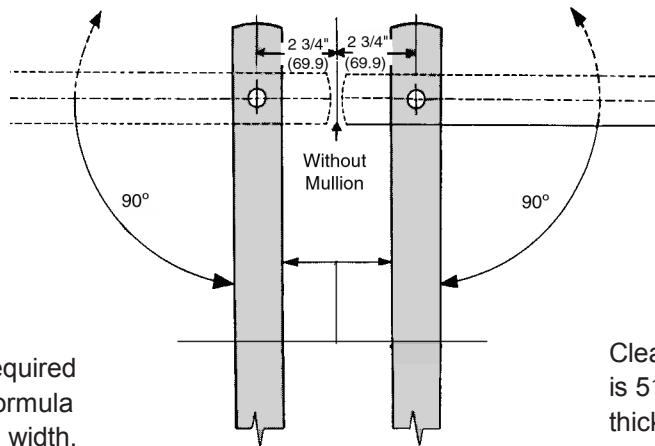
When a door is hung on a pivot, the entire weight of the door is carried by the bottom pivot resting on the floor. Since the screws in the top pivot are perpendicular to the pivot and at right angles to the opening leverage, the door is hung in sheer rather than in tension and is less likely to pull away from the jamb.



Single Door



Pair of Doors Back to Back



If a mullion is required use the same formula plus the mullion width.

Clearance between doors is 5 1/2" (139.7)mm less thickness of one door