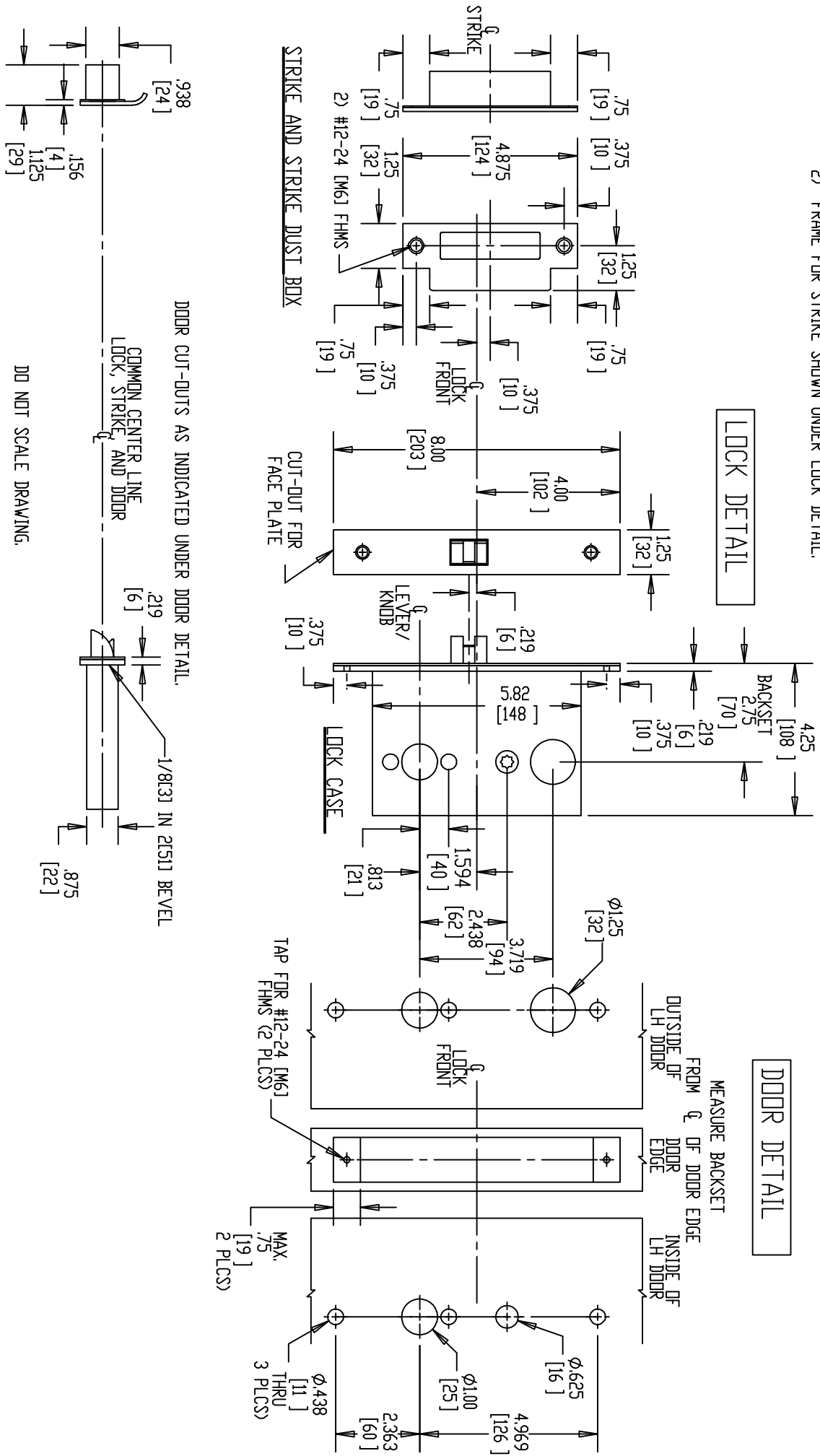


NOTE: 1) DOOR CUT-OUTS AS INDICATED UNDER DOOR DETAIL.  
 2) FRAME FOR STRIKE SHOWN UNDER LOCK DETAIL.



Brookline Industries  
 1624 South Clinton Street  
 Chicago, IL 60616 USA  
<http://brooklineind.com>

**M3053 WITH "E" ESCUTCHEON**  
**FOR METAL DOORS**

DIMENSIONS ARE INCHES ( ) ARE IN MILLIMETERS.

TEMPLATE NUMBER: **T-M3053EM** Rev1

DATE: 01-01-10