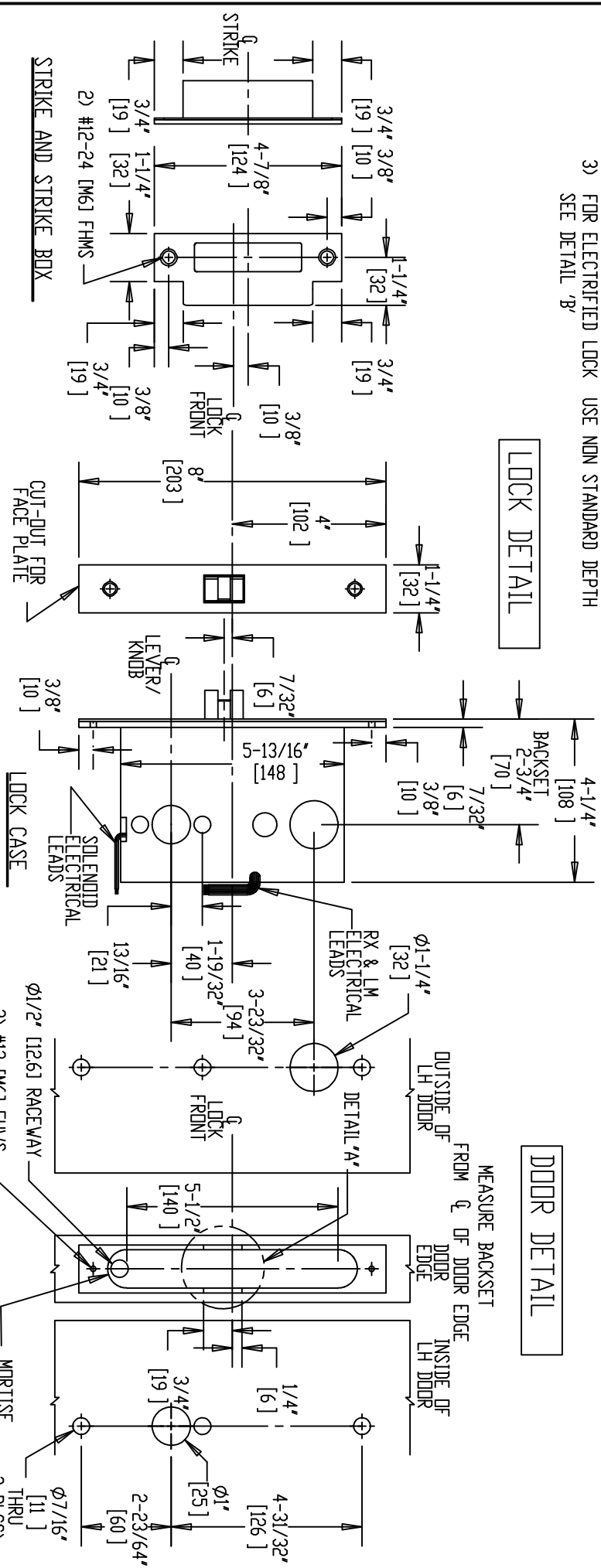


NOTE: 1) DDDR CUT-OUTS AS INDICATED UNDER DDDR DETAIL.  
 2) FRAME FOR STRIKE SHOWN UNDER LOCK DETAIL.  
 3) FOR ELECTRIFIED LOCK USE NON STANDARD DEPTH  
 SEE DETAIL 'B'

**LOCK DETAIL**



DD NOT SCALE DRAWING.



Brookline Industries  
 1624 South Clifton Street  
 Chicago, IL 60616 USA  
<http://brooklineind.com>

DIMENSIONS ARE INCHES ( ) ARE IN MILLIMETERS.

**M3080EU WITH "E" ESCUTCHEON  
 OR WOOD DOOR**

TEMPLATE NUMBER: **T-M3080EU EW Rev1**

DATE: 01-01-10