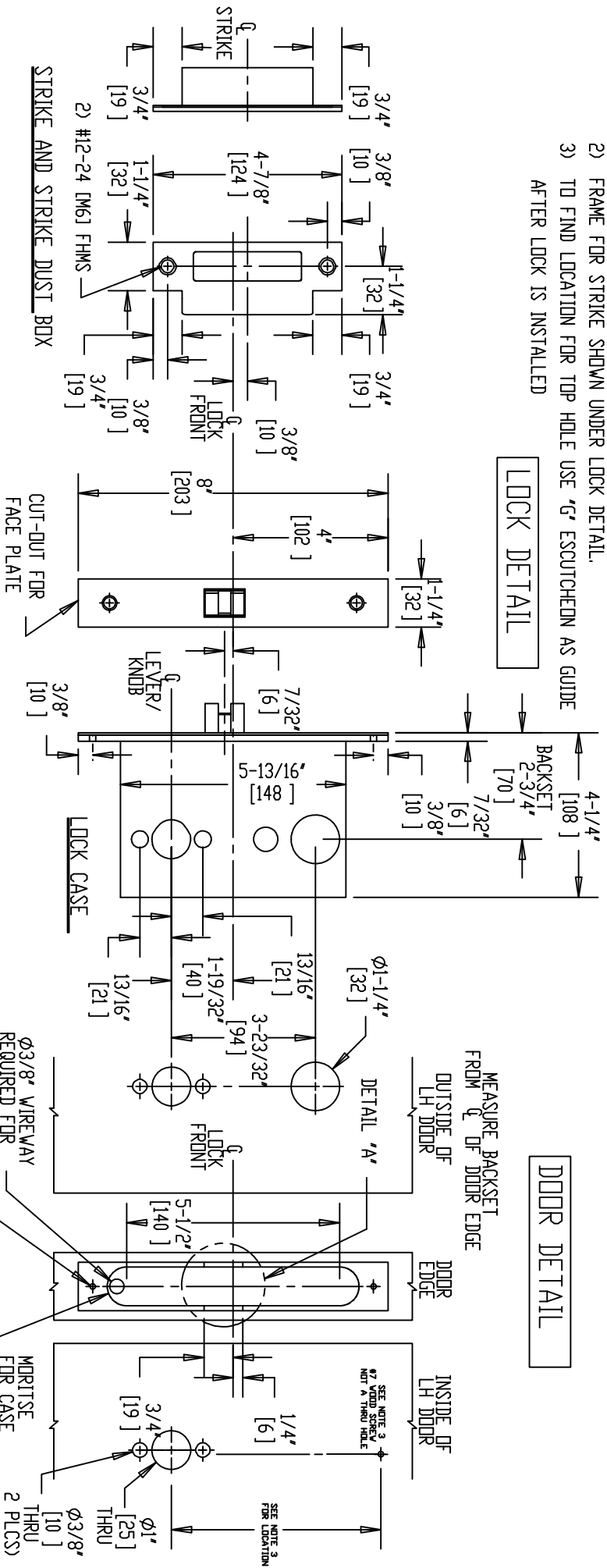


NOTE: 1) DOOR CUT-OUTS AS INDICATED UNDER DOOR DETAIL.
 2) FRAME FOR STRIKE SHOWN UNDER LOCK DETAIL.
 3) TO FIND LOCATION FOR TOP HOLE USE "G" ESCUTCHEON AS GUIDE
 AFTER LOCK IS INSTALLED

LOCK DETAIL



DOOR DETAIL

COMMON CENTER LINE
 LOCK, STRIKE AND DOOR

DO NOT SCALE DRAWING.



M3080 WITH "G" ESCUTCHEON
 FOR WOOD DOORS

DIMENSIONS ARE INCHES () ARE IN MILLIMETERS.	TEMPLATE NUMBER: T-M3080GW Rev1
DATE: 01-01-10	DATE: 01-01-10