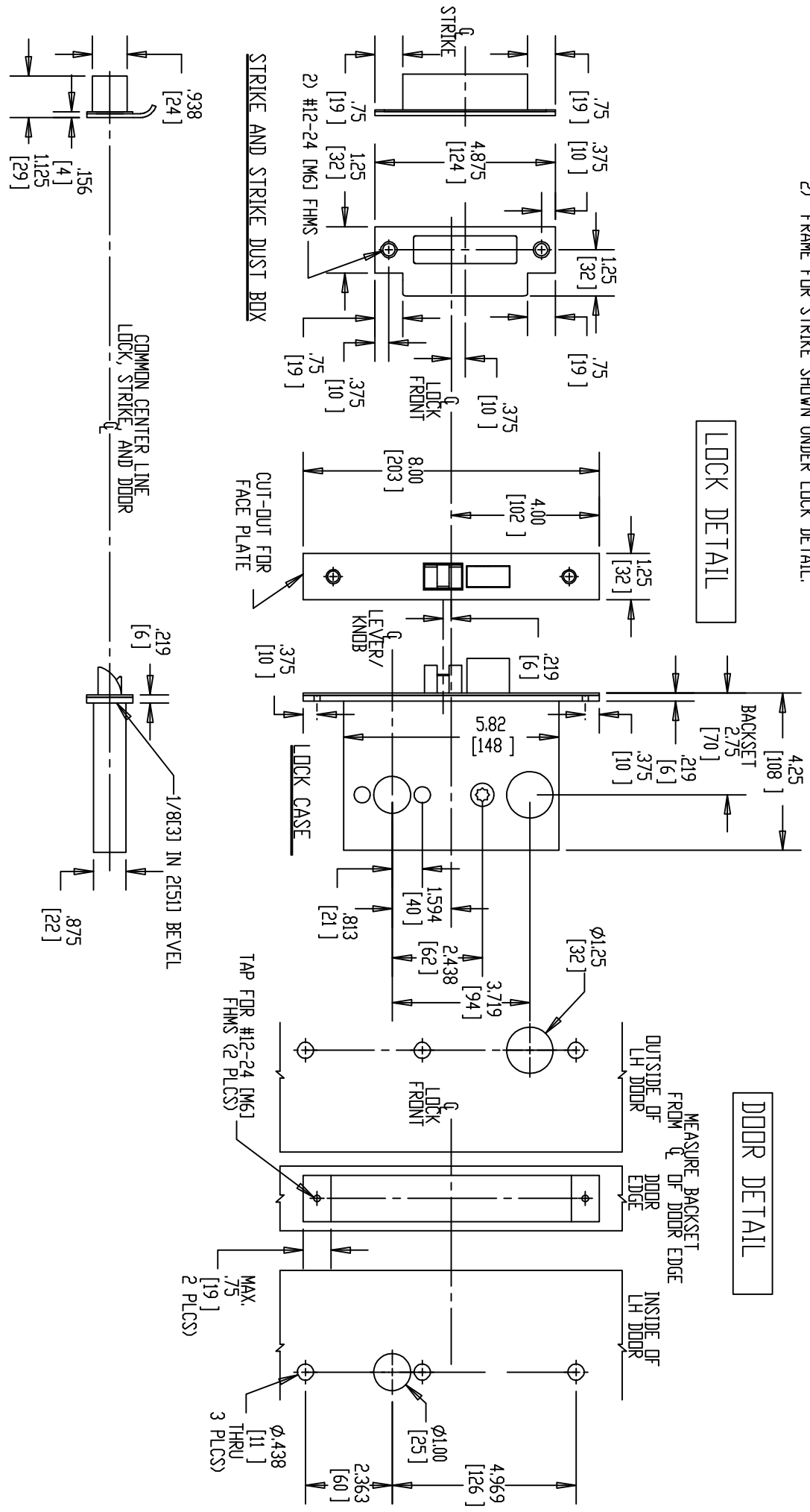


NOTE: 1) DOOR CUT-OUTS AS INDICATED UNDER DOOR DETAIL.
 2) FRAME FOR STRIKE SHOWN UNDER LOCK DETAIL.



DO NOT SCALE DRAWING.



Brookline Industries
 1624 South Clinton Street
 Chicago, IL 60616 USA
<http://brooklineind.com>

M3480 WITH "E" ESCUTCHEON FOR METAL DOORS

DIMENSIONS ARE INCHES () ARE IN MILLIMETERS.

TEMPLATE NUMBER: **T-M3480EM Rev1**

DATE: 01-01-10