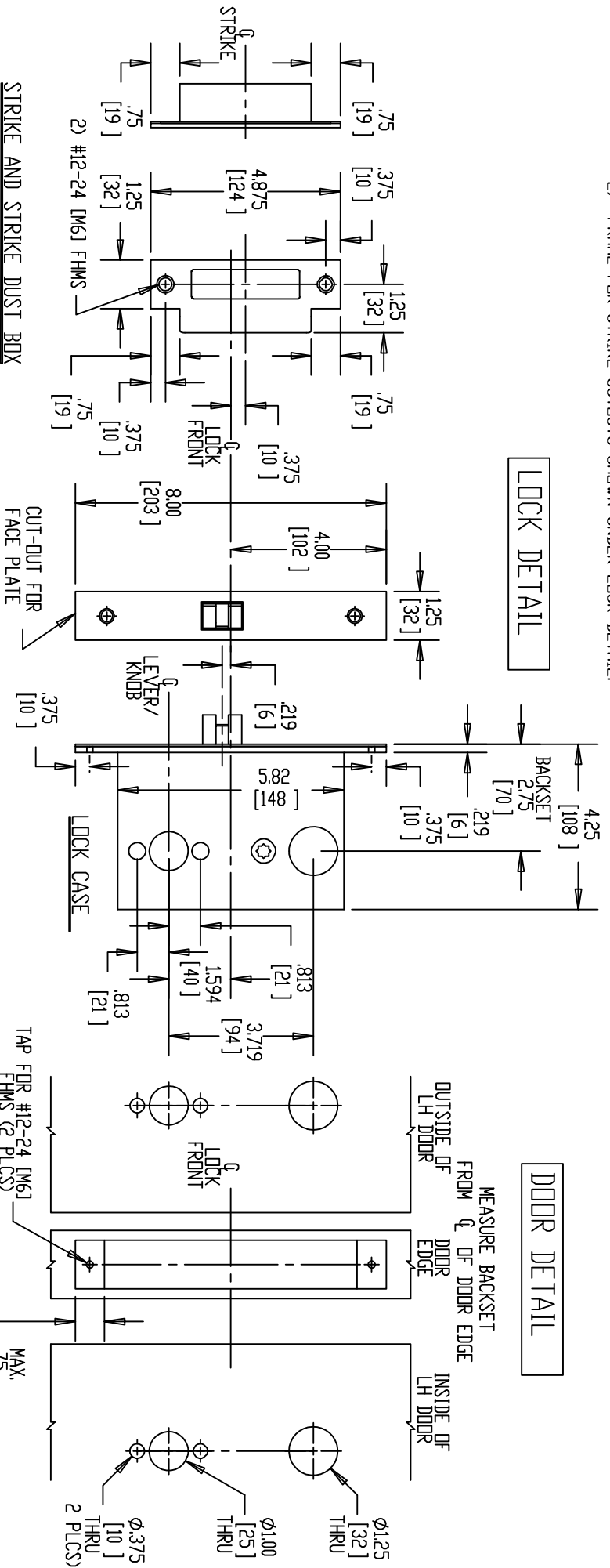


NOTES: 1) DOOR CUT-OUTS INDICATED UNDER DOOR DETAIL.
 2) FRAME FOR STRIKE CUTOUTS SHOWN UNDER LOCK DETAIL.



DO NOT SCALE DRAWING.



Brookline Industries
 1624 South Clinton Street
 Chicago, IL 60616 USA
<http://brooklineind.com>

DIMENSIONS ARE INCHES () ARE IN MILLIMETERS.

M3482 WITH "G" ESCUTCHEON FOR METAL DOORS

TEMPLATE NUMBER: **T-M3482GM Rev1**

DATE: 01-01-10