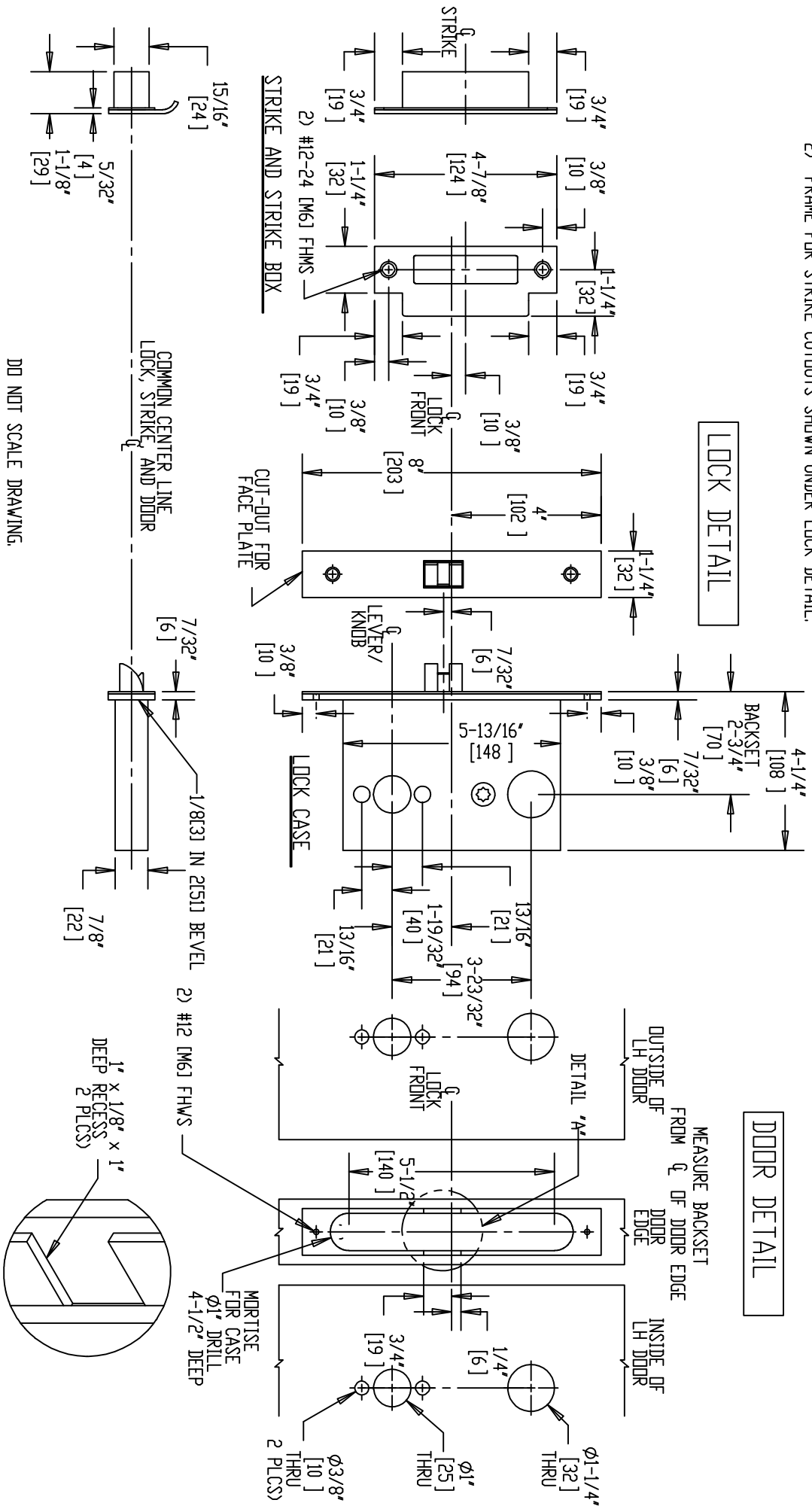


- NOTES: 1) DOOR CUT-OUTS INDICATED UNDER DOOR DETAIL.  
 2) FRAME FOR STRIKE CUTOUTS SHOWN UNDER LOCK DETAIL.



DO NOT SCALE DRAWING.



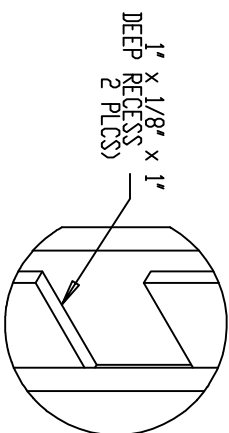
Brookline Industries  
 1624 South Clinton Street  
 Chicago, IL 60616 USA  
<http://brooklineind.com>

DIMENSIONS ARE INCHES ( ) ARE IN MILLIMETERS.

# M3482 WITH "G" ESCUTCHEON FOR WOOD DOORS

TEMPLATE NUMBER: **T-M3482GW Rev1**

DATE: 01-01-10



DETAIL 'A'