



Chicago Illinois USA www.brooklineind.com

SureStop® Installation Template
CONCEALED STOPS & HOLDERS
1505F (FRICTION)
1505H (HOLD OPEN)
1505S (STOP)

TEMPLATE NO. T1505
T1505 Rev. 2 01/2010
 Dimensions in inches

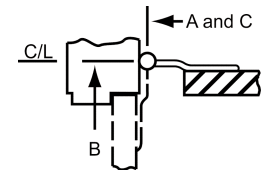
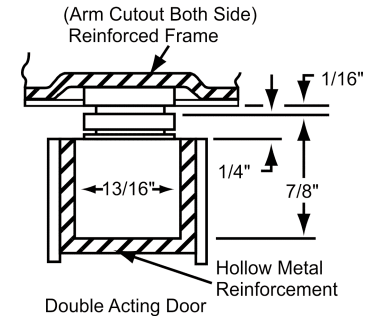
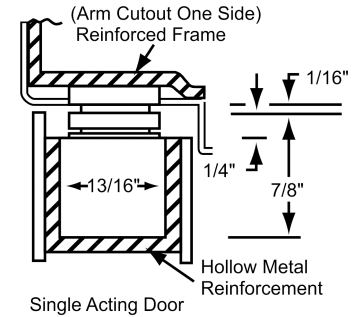
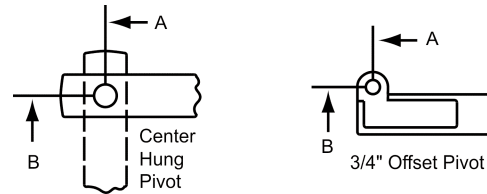
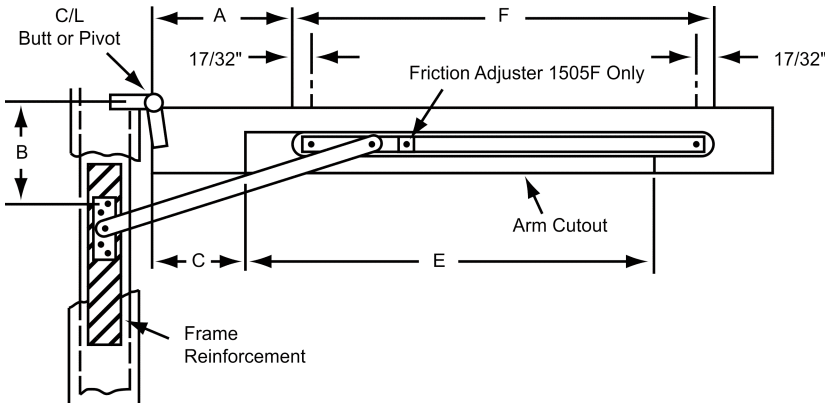
For metric dimensions, see Template T1505m

Installation Instructions

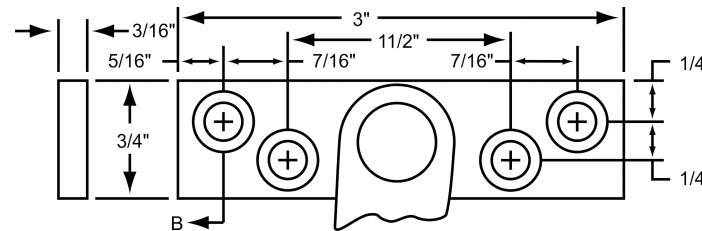
1. Determine the degree of Hold Open or Dead Stop required. Select proper dimensions from table on page 2.
 Note: Dead Stop is the maximum opening point of the stop with maximum spring compression.
 When Dead Stop is required add 5/8" to "A" dimension.
 A, B and C dimensions are measured from hinge or pivot centerline, not door edge.
2. Locate "B" dimension on frame and mortise 3/16" deep for jamb bracket as shown.
3. Locate "A" and "F" dimensions on centerline of door and mortise 13/16" wide x 7/8" deep for channel.
 Adjust the arm and rail cutout dimensions if the head clearance varies. 1/16" head clearance is shown in illustration.
4. Locate "C" and "E" dimensions on top of door and mortise 1/4" deep as shown for arm clearance.
5. Install Stop or Holder with hardware provided.

NOTES:

- * All hollow metal frames to have 3/16" min. thickness x 12" min. length reinforcing plates as shown in illustration.*
- * Be aware of the clearance behind the door. Do not forget to take the hardware projection into your calculation.



Fastener Information	
Jamb	Door
#12-24 x 1/2" FHMS or #12 x 1-1/2" FHWS (4 locations)	#12-24 x 1-1/2" FHMS or #12 x 1-1/2" FHWS (2 locations)



CAUTION:
 Note location of swing clear hinge centerline to determine "A" and "B" dimensions.



**SureStop® Installation Template
CONCEALED STOPS & HOLDERS
1505F (FRICTION)
1505H (HOLD OPEN)
1505S (STOP)**

**TEMPLATE NO. T1505
T1505 Rev. 2 01/2010
Dimensions in inches**

Chicago Illinois USA www.brooklineind.com

For metric dimensions, see Template T1505m

Notes:

1. This page (2) is for door and jamb preparation. See page 1 for installation instructions
2. Model numbers: Suffix "F" = Friction; "H" = Hold Open; "S" = Stop
Suffixes A, B, C, D and E indicate Size
3. A, B and C dimensions from C/L of pivot, not door edge.
4. Dead Stop is the maximum opening point with maximum spring compression.
When Dead Stop is required add 5/8" to "A" dimension.

Check pivot manufacturer's compatibility prior to specifying Center Hung Pivots

* Butt mounting only
Reversible / non-handed

For Doors 1 3/4 - 2 1/4 on Butt Hinges or 3/4 Offset Pivots

Model			Open Angle	85° HO				90° HO				95° HO				100° HO				105° HO				110° HO				
Friction	Hold-Open	Stop	Door Opening	A	B	C	E	A	B	C	E	A	B	C	E	A	B	C	E	A	B	C	E	A	B	C	E	F
1505FA	1505HA	1505SA	*18 - 24	2 5/16	4 5/8	1 1/2	13 13/16	2	4 5/16	1 1/2	13 9/16	1 13/16	4 1/8	1 1/2	13 5/16	1 9/16	3 7/8	0	14 7/16	1 3/8	3 11/16	0	14 3/8	1 3/16	3 1/2	0	14 3/16	4 3/4
1505FB	1505HB	1505SB	24 1/16-30	6 1/2	5 13/16	5 1/2	15 3/16	6 3/16	5 1/2	5 1/2	14 13/16	5 13/16	5 1/8	5 1/2	14 1/2	5 1/2	4 13/16	5	14 11/16	5 1/4	4 9/16	4 3/4	14 11/16	5 1/16	4 3/8	4 1/2	14 9/16	15 7/8
1505FC	1505HC	1505SC	30 1/16-36	9 11/16	7 3/8	7 1/2	18	9 1/4	6 15/16	7	18 1/16	8 13/16	6 1/2	6 3/4	17 7/8	8 7/16	6 1/8	6	18 1/4	8 1/8	5 13/16	6	18 1/16	7 7/8	5 9/16	5 3/4	17 15/16	17 11/16
1505FD	1505HD	1505SD	36 1/16-42	13 5/16	9 1/2	9 1/2	22 1/8	12 3/4	8 15/16	9	22 1/16	12 1/4	8 7/16	8 1/2	22 1/16	11 3/4	7 15/16	8	22 1/16	11 3/8	7 9/16	7 3/4	21 15/16	11	7 3/16	7 3/8	21 15/16	20 3/16
1505FE	1505HE	1505SE	42 1/16-48	17 5/8	11 1/16	11	25 11/16	17	10 7/16	10 1/2	26 9/16	16 3/8	9 13/16	10	26 7/16	15 13/16	9 1/4	9 1/4	26 5/8	15 3/8	8 13/16	9	26 7/16	14 15/16	8 3/8	8 1/2	26 1/2	21 15/16

For Doors 1 3/8 - 1 5/8 on Butt Hinges or 3/4 Offset Pivots

Model			Open Angle	85° HO				90° HO				95° HO				100° HO				105° HO				110° HO				
Friction	Hold-Open	Stop	Door Opening	A	B	C	E	A	B	C	E	A	B	C	E	A	B	C	E	A	B	C	E	A	B	C	E	F
1505FA	1505HA	1505SA	*18 - 24	2 5/16	4 11/16	1 1/2	13 7/16	2 1/16	4 7/16	1 1/2	13 7/16	1 13/16	4 3/16	1 1/2	13 3/16	1 5/8	4	0	14 1/2	1 7/16	3 13/16	0	14 5/16	1 1/4	3 5/8	0	14 1/8	14 3/4
1505FB	1505HB	1505SB	24 1/16-30	6 11/16	5 15/16	5 1/2	15 3/16	6 1/4	5 1/2	5 1/2	14 3/4	5 15/16	5 3/16	5 1/4	14 11/16	5 5/8	4 7/8	5	14 7/8	5 3/8	4 5/8	4 3/4	14 5/8	5 1/8	4 3/8	4 1/2	14 5/8	15 7/8
1505FC	1505HC	1505SC	30 1/16-36	9 3/4	7 7/16	7 1/2	18 3/16	9 3/16	7	7	18 1/8	8 15/16	6 5/8	6 3/4	18	8 9/16	6 1/4	6 1/4	18 1/8	8 1/4	5 15/16	6	18	7 15/16	5 5/8	5 3/4	18	17 11/16
1505FD	1505HD	1505SD	36 1/16-42	13 7/16	9 5/8	9 3/4	22	12 7/8	9 1/16	9	22 3/16	12 3/8	8 9/16	8 1/2	22 3/16	11 7/8	8 1/16	8	22	11 1/2	7 11/16	7 3/4	22	11 3/16	7 3/8	7 1/2	21 7/8	20 3/16
1505FE	1505HE	1505SE	42 1/16-48	17 3/4	11 3/16	11 1/4	26 7/16	17 1/16	10 1/2	10 1/2	26 1/2	16 7/16	9 7/8	10	26 3/8	15 15/16	9 3/8	9 1/2	26 3/8	15 1/2	8 15/16	9	26 1/2	15 1/16	8 1/2	8 1/2	26 1/2	21 15/16

For Doors on 1 3/4 - 2 1/4 on Center Hung Pivots

Model			Open Angle	85° HO				90° HO				95° HO				100° HO				105° HO				110° HO				
Friction	Hold-Open	Stop	Door Opening	A	B	C	E	A	B	C	E	A	B	C	E	A	B	C	E	A	B	C	E	A	B	C	E	F
--	--	--	--	--	--	--	--	--	--	--	--	--	--	--	--	--	--	--	--	--	--	--	--	--	--	--	--	--
1505FB	1505HB	1505SB	27 - 32	7	6 1/4	5	15 7/8	6 5/8	5 7/8	5	15 1/2	--	--	--	--	--	--	--	--	--	--	--	--	--	--	--	--	15 7/8
1505FC	1505HC	1505SC	32 1/16-38 1/2	10 9/16	7 7/8	8	17 7/8	9 11/16	7 3/8	7 1/2	17 7/8	9 1/4	6 15/16	7	18	8 7/8	6 9/16	6 5/8	18	8 9/16	6 1/4	6 1/4	18	8 1/4	5 15/16	6	18	17 11/16
1505FD	1505HD	1505SD	38 9/16-45	13 13/16	10	10	22	13 9/16	9 3/8	9 1/2	22	12 11/16	8 7/8	9	22	12 3/16	8 3/8	8 1/2	22	11 13/16	8	8	22	11 7/16	7 5/8	7 3/4	22	20 3/16
1505FE	1505HE	1505SE	45 1/16-48	18 1/4	11 11/16	11 3/4	26 7/16	17 1/2	10 15/16	11	26 7/16	16 7/8	10 5/16	10 1/2	26 5/16	16 5/16	9 3/4	9 3/4	26 1/2	15 13/16	9 1/4	9 1/4	26 1/2	15 3/8	8 13/16	9	26 5/16	21 15/16