



Chicago Illinois USA www.brooklineind.com

SureStop® Installation Template
CONCEALED STOPS & HOLDERS
1505F (FRICTION)
1505H (HOLD OPEN)
1505S (STOP)

TEMPLATE NO. T1505m
T1505m Rev. 2 01/2010
 Dimensions in millimeters

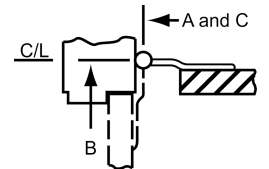
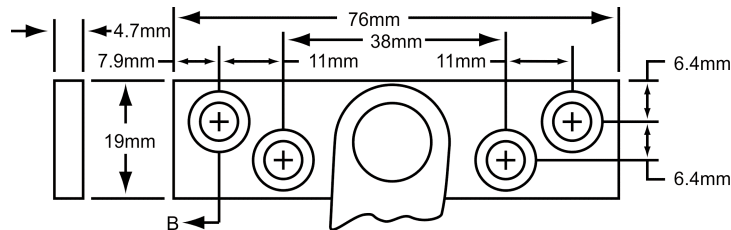
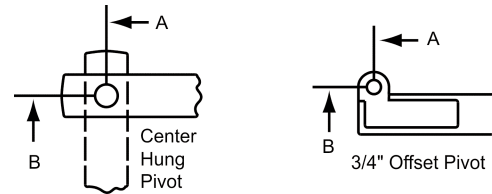
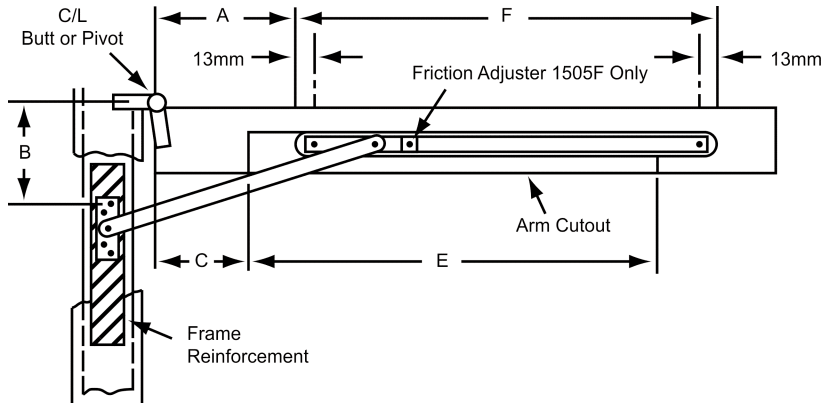
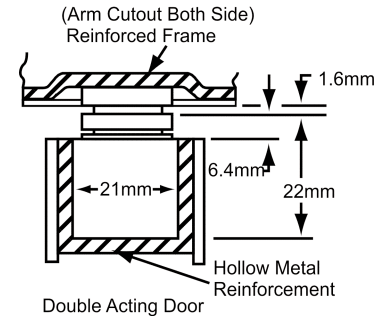
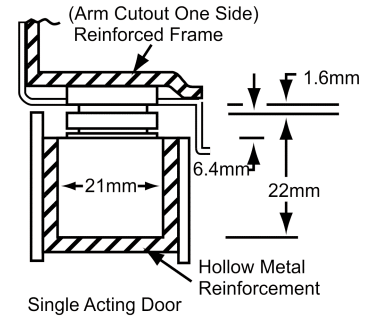
For inch dimensions, see Template T1505

Installation Instructions

1. Determine the degree of Hold Open or Dead Stop required. Select proper dimensions from table on page 2.
 Note: Dead Stop is the maximum opening point of the stop with maximum spring compression.
 When Dead Stop is required add 15.9mm to "A" dimension.
 A, B and C dimensions are measured from hinge or pivot centerline, not door edge.
2. Locate "B" dimension on frame and mortise 4.8mm deep for jamb bracket as shown.
3. Locate "A" and "F" dimensions on centerline of door and mortise 4.8mm wide x 22.2mm deep for channel.
 Adjust the arm and rail cutout dimensions if the head clearance varies. 1.6mm head clearance is shown in illustration.
4. Locate "C" and "E" dimensions on top of door and mortise 6.4mm deep as shown for arm clearance.
5. Install Stop or Holder with hardware provided.

NOTES:

- All hollow metal frames to have 4.8mm min. thickness x 305mm min. length reinforcing plates as shown in illustration.
- Be aware of the clearance behind the door. Do not forget to take the hardware projection into your calculation.



Fastener Information	
Jamb	Door
#12-24 x 1/2" FHMS or #12 x 1-1/2" FHWS (4 locations)	#12-24 x 1-1/2" FHMS or #12 x 1-1/2" FHWS (2 locations)

CAUTION:
 Note location of swing clear hinge centerline to determine "A" and "B" dimensions.



SureStop® Installation Template
CONCEALED STOPS & HOLDERS
1505F (FRICTION)
1505H (HOLD OPEN)
1505S (STOP)

TEMPLATE NO. T1505m
T1505m Rev. 2 01/2010
 Dimensions in millimeters
 For inch dimensions, see Template T1505

Chicago Illinois USA www.brooklineind.com

Notes:

1. This page (2) is for door and jamb preparation. See page 1 for installation instructions
2. Model numbers: Suffix "F" = Friction; "H" = Hold Open; "S" = Stop
 Suffixes A, B, C, D and E indicate Size
3. A, B and C dimensions from C/L of pivot, not door edge.
4. Dead Stop is the maximum opening point with maximum spring compression.
 When Dead Stop is required add 15.9mm to "A" dimension.

Check pivot manufacturer's compatibility prior to specifying Center Hung Pivots

* Butt mounting only
 Reversible / non-handed

For Doors 44mm - 57mm on Butt Hinges or 3/4 Offset Pivots

Model			Open Angle	85° HO				90° HO				95° HO				100° HO				105° HO				110° HO				
Friction	Hold-Open	Stop	Door Opening	A	B	C	E	A	B	C	E	A	B	C	E	A	B	C	E	A	B	C	E	A	B	C	E	F
1505FA	1505HA	1505SA	*457-610	59	117	38	351	51	110	38	344	46	105	38	338	40	98	0	367	35	94	0	365	30	89	0	360	375
1505FB	1505HB	1505SB	611-762	165	148	140	386	157	140	140	376	148	130	140	368	140	122	127	373	133	116	121	373	129	111	114	370	403
1505FC	1505HC	1505SC	764-914	246	187	191	457	235	176	178	459	224	165	171	454	214	155	152	464	206	148	152	459	200	141	146	456	449
1505FD	1505HD	1505SD	916-1067	338	241	241	562	324	227	229	560	311	214	216	560	298	202	203	560	289	192	197	557	279	183	187	557	513
1505FE	1505HE	1505SE	1068-1219	448	281	279	652	432	265	267	675	416	249	254	672	402	235	235	676	391	224	229	672	379	213	216	673	557

For Doors 35mm - 41mm on Butt Hinges or 3/4 Offset Pivots

Model			Open Angle	85° HO				90° HO				95° HO				100° HO				105° HO				110° HO				
Friction	Hold-Open	Stop	Door Opening	A	B	C	E	A	B	C	E	A	B	C	E	A	B	C	E	A	B	C	E	A	B	C	E	F
1505FA	1505HA	1505SA	*457-610	59	119	38	341	52	113	38	341	46	106	38	335	41	102	0	368	37	97	0	363	32	92	0	359	375
1505FB	1505HB	1505SB	611-762	170	151	140	386	159	140	140	375	151	132	133	373	143	124	127	378	137	117	121	371	130	111	114	371	403
1505FC	1505HC	1505SC	764-914	248	189	191	462	236	178	178	460	227	168	171	457	217	159	159	460	210	151	152	457	202	143	146	457	449
1505FD	1505HD	1505SD	916-1067	341	244	248	559	327	230	229	564	314	217	216	564	302	205	203	559	292	195	197	559	284	187	191	556	513
1505FE	1505HE	1505SE	1068-1219	451	284	286	672	433	267	267	673	418	251	254	670	405	238	241	670	394	227	229	673	383	216	216	673	557

For Doors 44mm - 57mm on Center Hung Pivots

Model			Open Angle	85° HO				90° HO				95° HO				100° HO				105° HO				110° HO				
Friction	Hold-Open	Stop	Door Opening	A	B	C	E	A	B	C	E	A	B	C	E	A	B	C	E	A	B	C	E	A	B	C	E	F
--	--	--	--	--	--	--	--	--	--	--	--	--	--	--	--	--	--	--	--	--	--	--	--	--	--	--	--	--
1505FB	1505HB	1505SB	686-813	178	159	127	403	168	149	127	394	--	--	--	--	--	--	--	--	--	--	--	--	--	--	--	--	403
1505FC	1505HC	1505SC	814-978	259	200	203	454	246	187	191	454	235	176	178	457	225	167	168	457	217	159	159	457	210	151	152	457	449
1505FD	1505HD	1505SD	979-1143	351	254	254	559	344	238	241	559	322	225	229	559	310	213	216	559	300	203	203	559	291	194	197	559	513
1505FE	1505HE	1505SE	1145-1219	464	297	298	672	445	278	279	672	429	262	267	668	414	248	248	673	402	235	235	673	391	224	229	668	557