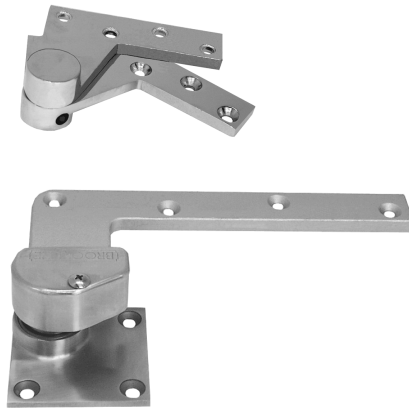
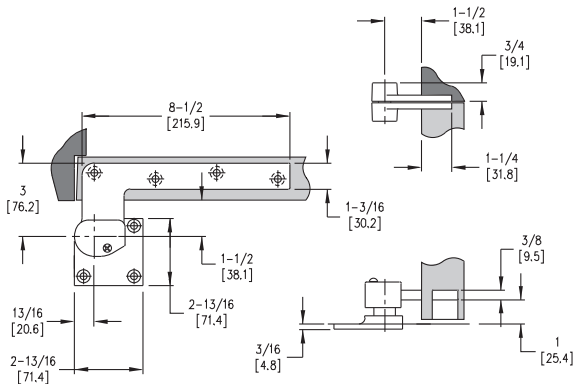


MODEL	PRODUCT DESCRIPTIONS & FEATURES	D-7
-------	---------------------------------	-----

1238S
Offset Pivot Set (Handed)

Exterior doors
 Width to 3'6" (1067)mm
 Height to 7'0" (2134)mm
 Interior doors
 Width to 4'0" (1220)mm
 Height to 8'6" (2590)mm
 Weight to 350lbs (159)kg

- Bottom pivot mounts directly to floor
- Available for fire door assemblies up to three hours (Prefix with "F")
- Intermediate pivot 1258 required for fire application
- 1 1/2" offset (38.1)mm
- Investment cast stainless steel, bearings top and bottom pivot
- Available in standard architectural finishes
- Extended spindles in 1/2"(12.7)mm increments up to 2"(50.8)mm
- Intermediate pivot **1258** recommended see below



1258
Intermediate Pivot (Handed)

Full Mortise

Technical Note: On labeled doors NFPA 80 requires one intermediate pivot per door height up to 90" (2286)mm and two intermediate pivots for doors from 90" (2286)mm to 120" (3048)mm

- Maintains alignment of the door
- 1 1/2" offset (38.1)mm
- Investment cast stainless steel
- Needle bearings
- Available in standard architectural finishes
- Recommended for use with **1238S**

