

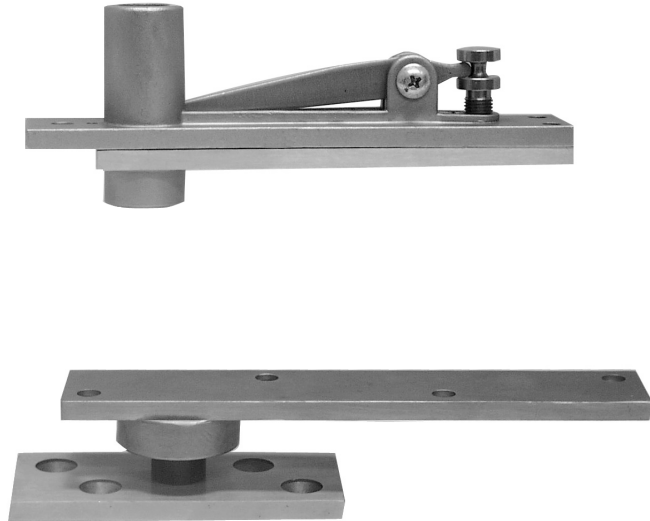
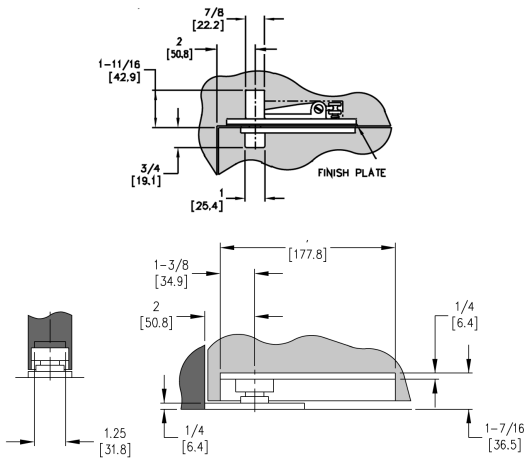
MODEL	PRODUCT DESCRIPTIONS & FEATURES	D-11
-------	---------------------------------	------

**1213S**

**Center Hung Pivot Set**

Exterior or Interior Doors  
 Width to 4'0" (1220)mm  
 Height to 8'6" (2590)mm  
 Weight to 500 lbs (227)kg

- Bottom pivot mounts directly to floor
- Bearings top pivot and bottom arm
- Bottom pivot bearing sealed for protection against weather and debris
- Top pivot spindle adjustable up to 1" (25.4)mm
- Investment cast stainless steel
- Available in standard architectural finishes



**1261**

**Pocket Door Pivot  
 Non Handed**

- Full mortise, non-handed pivot for pocket door applications
- Heavy duty stainless steel pivot with needle bearings
- U.L. listed for fire door assemblies 3-hour A label hollow metal doors and 20 minute wood doors
- Allows doors to swing 90°

