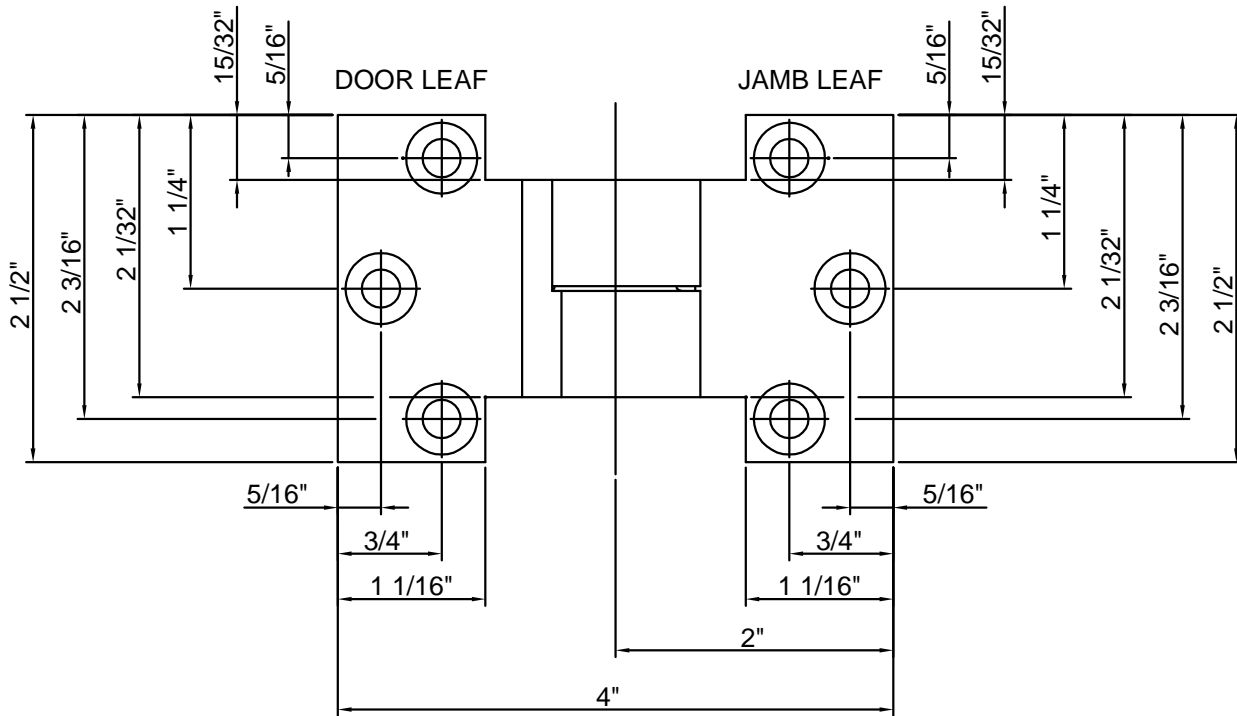
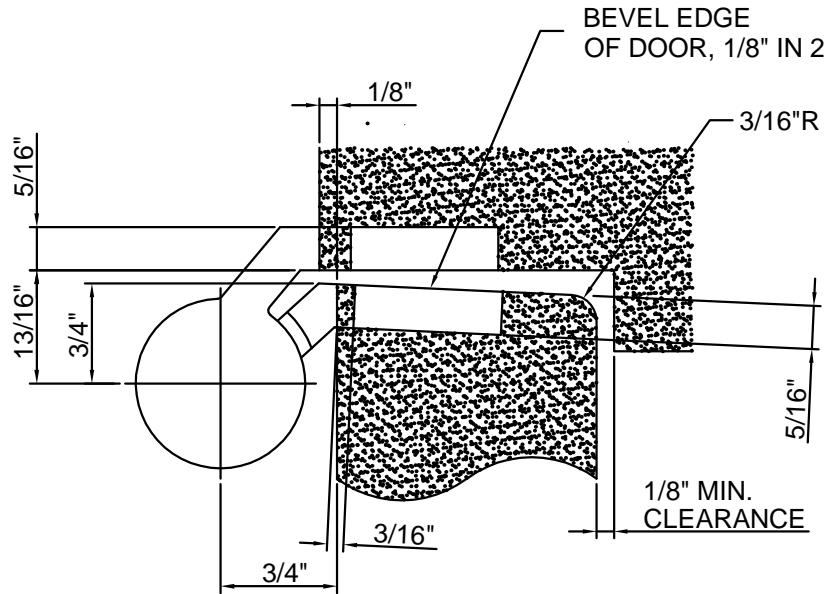




Brookline Industries
 1624 South Clinton Street
 Chicago, IL 60616 USA
<http://brooklineind.com>

1251 Intermediate Pivot

Template T1251 Rev 1 Jun 2003



NOTE:

1. DO NOT SCALE DRAWING.
2. RIGHT HAND SHOWN.
3. PIVOT DRILLED FOR 1/4"-20 x 5/8" FLAT HEAD MACHINE SCREW
OR #14 x 1 1/2" FLAT HEAD WOOD SCREW.
4. PIVOT DOES NOT CARRY WEIGHT OF DOOR.
5. ALL DIMENSIONS ARE IN INCHES.