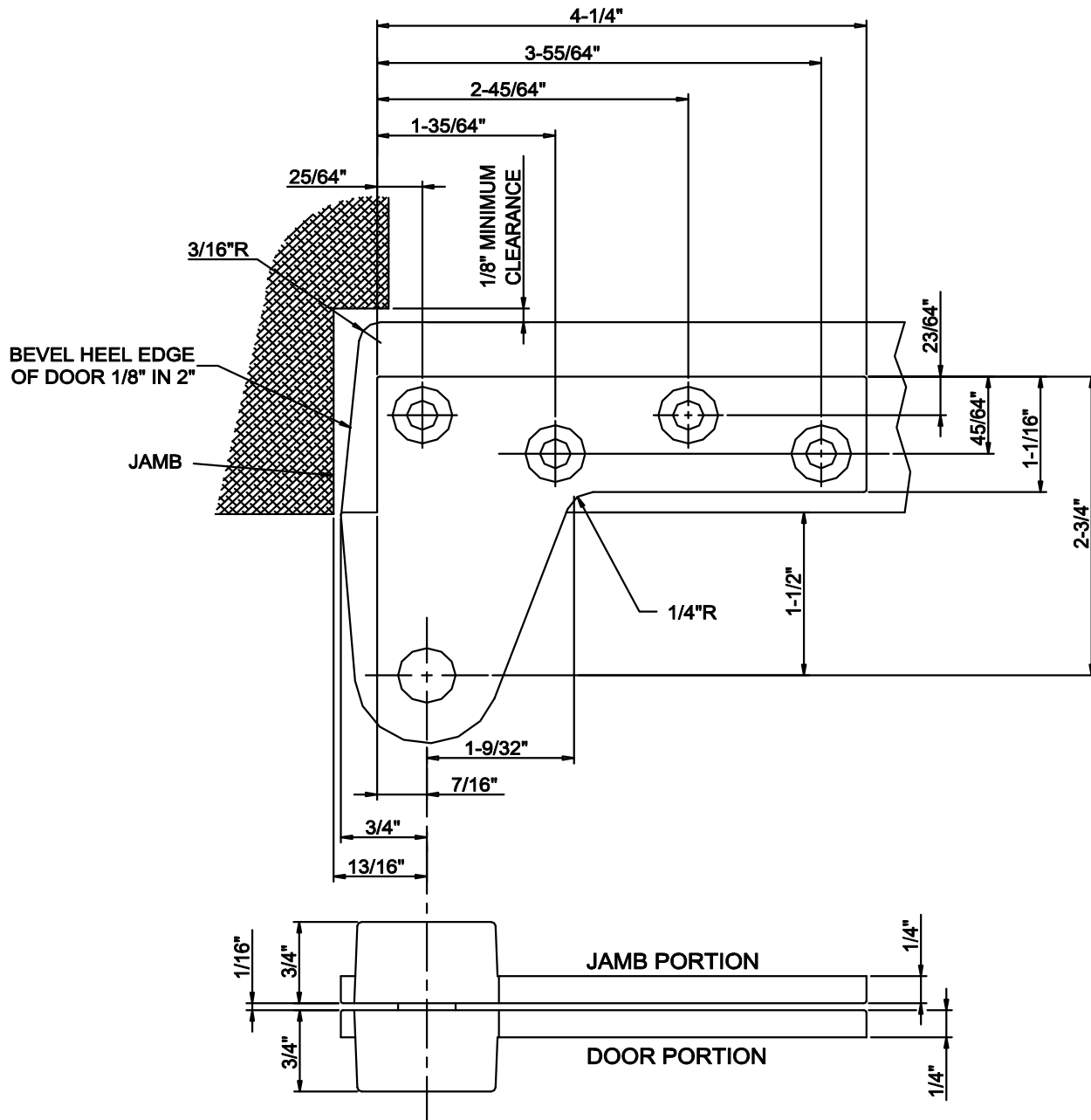




Brookline Industries
 1624 South Clinton Street
 Chicago, IL 60616 USA
<http://brooklineind.com>

1290T Top Pivot 1 1/2" Offset Template T-1290T Rev 1 Jan 2011



- NOTE:**
1. DO NOT SCALE DRAWING.
 2. RIGHT HAND SHOWN.
 3. PIVOT DRILLED FOR 1/4"-20 x 5/8" FHMS OR #14 x 1-1/2" FHWS.