

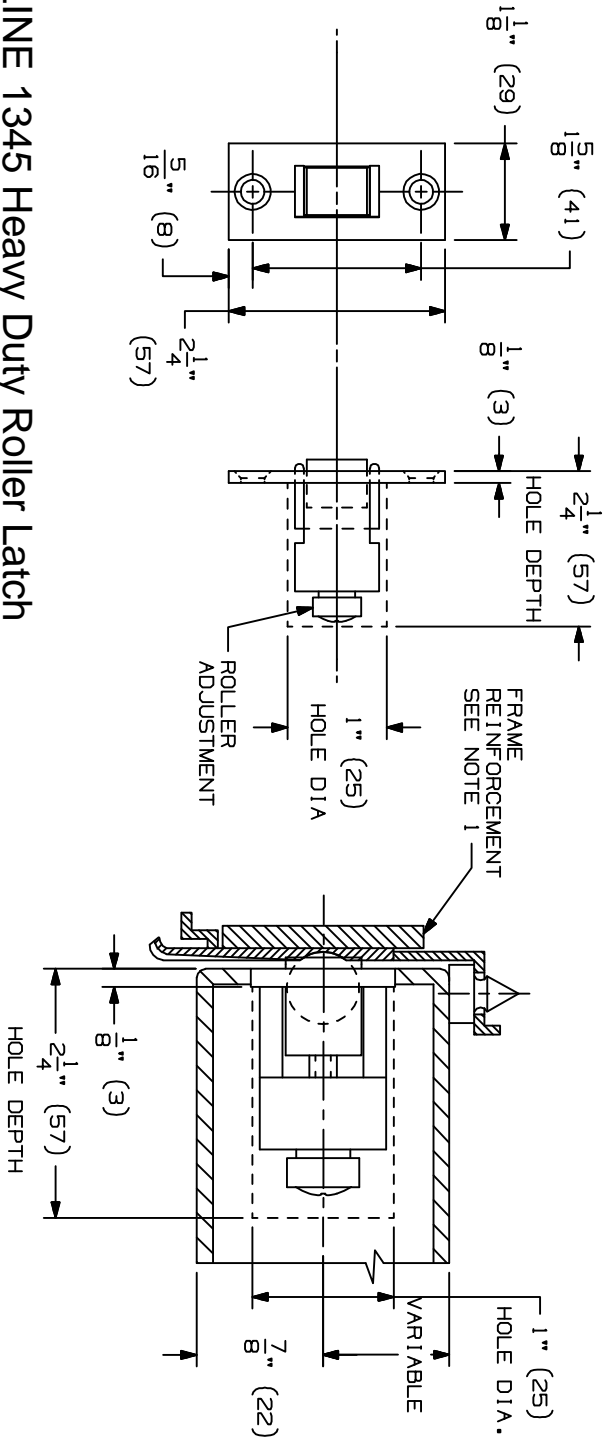


Brookline Industries  
 1624 South Clinton Street  
 Chicago, IL 60616 USA  
<http://brooklineind.com>

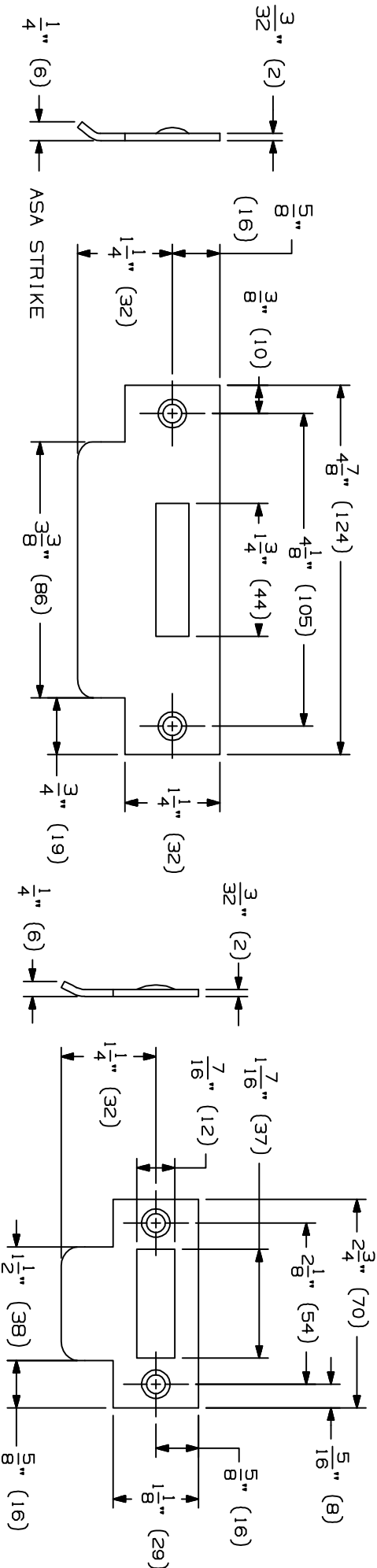
# 1345 Roller Latch

TEMPLATE NUMBER: T-1345 Rev 1

DATE: 01-01-00



## BROOKLINE 1345 Heavy Duty Roller Latch



LATCH		SCREW DETAIL	
STANDARD STRIKE	2	8 X 1" FPHSMS	
ASA STRIKE	2	8 X 1" FPHSMS	
		12-24 X 1" FPHMS	

Installation Notes:  
 For Hollow Metal Doors a 3/16" (5)  
 Reinforcement Plate is Required

NOTE: DIMENSIONS IN ( ) ARE MILLIMETERS.

### Strike Details