



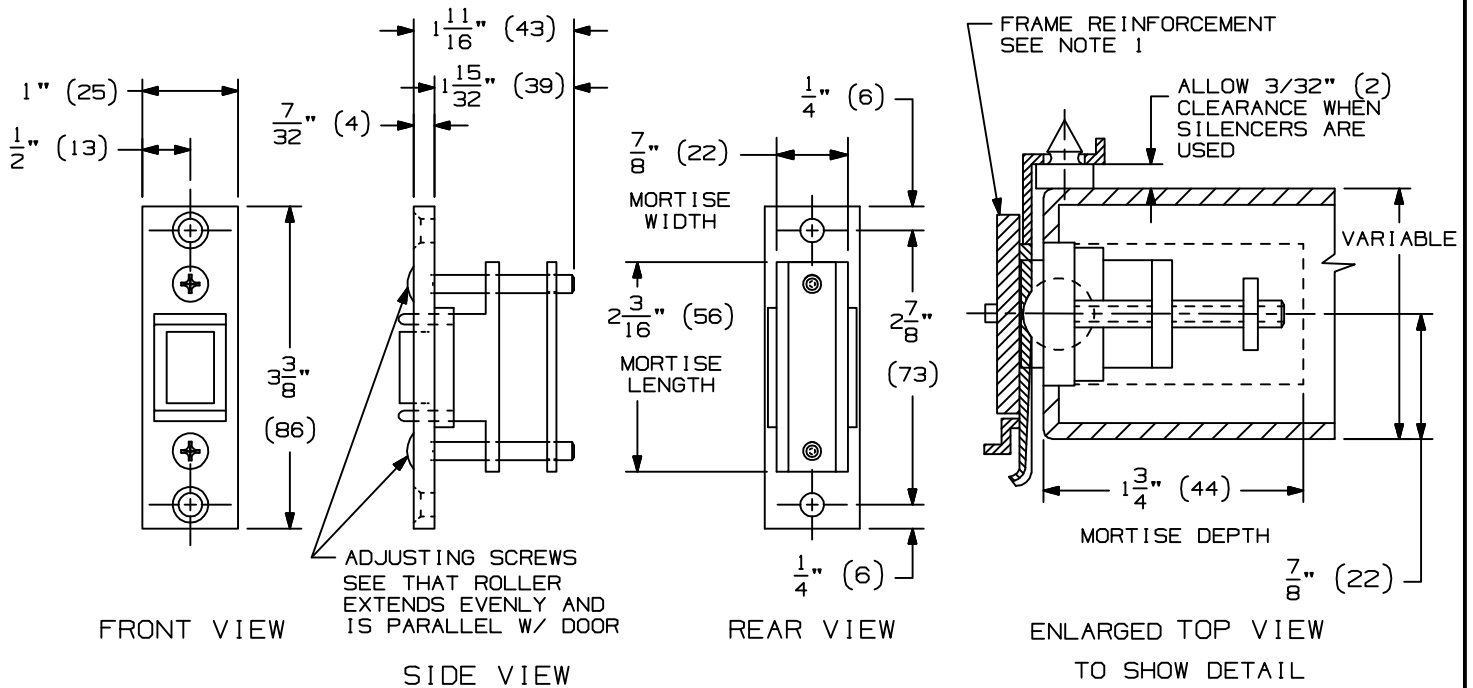
Brookline Industries  
 1624 South Clinton Street  
 Chicago, IL 60616 USA  
<http://brooklineind.com>

TEMPLATE NUMBER:

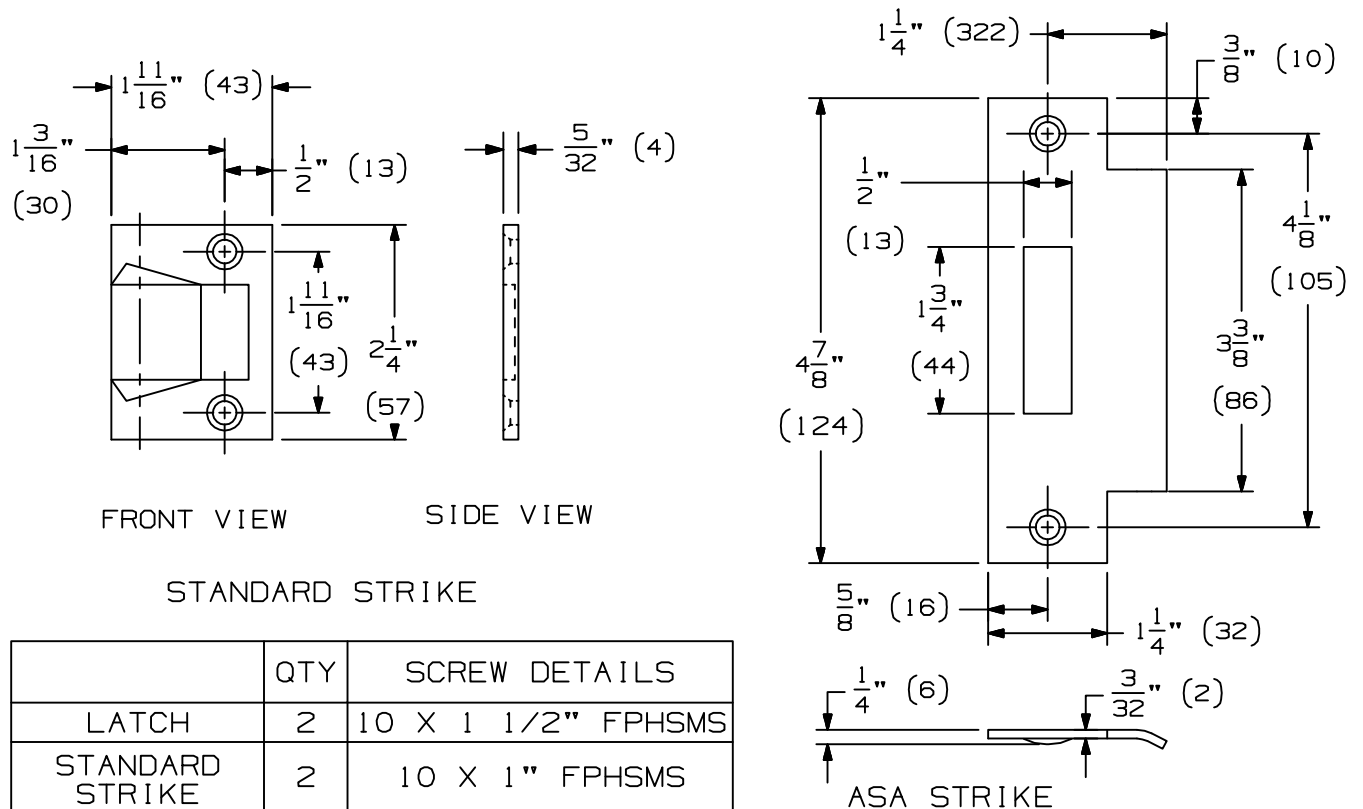
T-1346 Rev 1

DATE: 01-01-00

# 1346 Roller Latch



## BROOKLINE 1346 Roller Latch



	QTY	SCREW DETAILS
LATCH	2	10 X 1 1/2" FPHSMS
STANDARD STRIKE	2	10 X 1" FPHSMS
ASA STRIKE	2	12-24 X 1" FPHMS

NOTE: DIMENSIONS IN ( ) ARE MILLIMETERS.

### Installation Notes:

For Hollow Metal Doors a 3/16" (5) Reinforcement Plate is Required